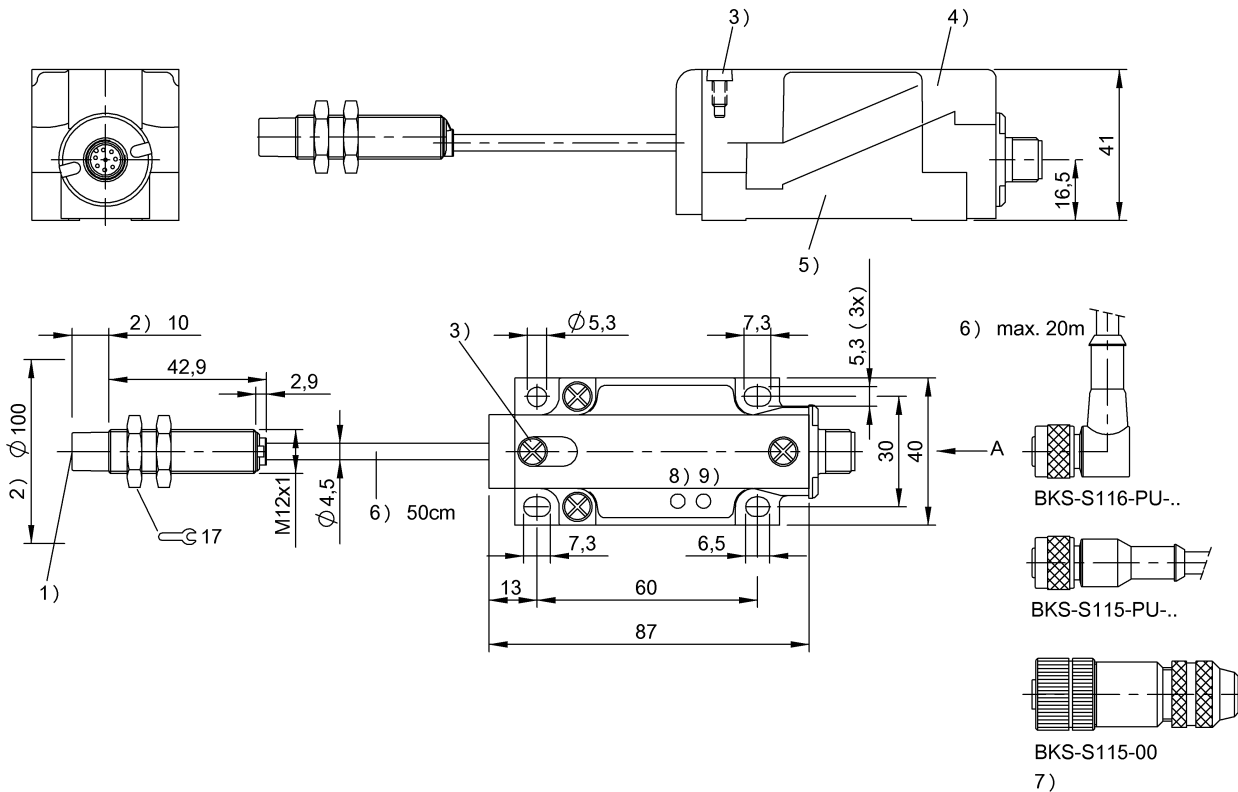


BIS L-400-035-003-00-S115 BIS00C9



1) Sensing surface 2) Clear zone 3) Locking screw 4) Module unit 5) Mounting base 6) Cable length 7) no cable 8) Power 9) Tag present



Display/Operation

Overflow	LED yellow, flashes
Power (ON)	LED green
Tag Present (TP)	LED yellow

Electrical connection

Cable length	0.5 m
Connection	(RS232/TP OUT): M12x1-Connector, 8-pole
Connection type	Connector, 0.50 m, PU

Electrical data

Control output	1 PNP
Current consumption max. at 24 V DC	50 mA
EN 300330-1	Power Class 3
MTTF (40 °C)	15080 a
Operating voltage U_b	19.2...26.4 VDC

Environmental conditions

Ambient temperature	0...70 °C
---------------------	-----------

EN 60068-2-27, Continuous shock load	yes
EN 60068-2-27, Shock	yes
EN 60068-2-6, Vibration	yes
Protection type IEC 60529	IP67
Storage temperature	-20...85 °C

Functional safety

Diagnostic coverage	0 %
EN 60068-2-32 Free fall	yes
Functional safety	no
Mission Time	0 a

General data

Antenna type	round
Approval/Conformity	CE UL-FILE E227256, Vol.X1, BIS

Material

Housing material	Brass, Interface PBT
Housing material, surface protection	nickel plates
Material jacket	PU

BIS L-400-035-003-00-S115 BIS00C9

Mechanical data

Application weight	170.00 g
Dimension	Ø 12 x 53 mm
Installation	with clear zone (in steel)
Size	M12x1

Output/Interface

Interface	RS232
-----------	-------

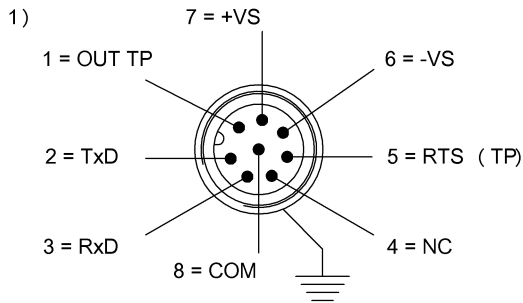
Range/Distance

Residual ripple max.	included
----------------------	----------

Remarks

Order accessories separately.
 Values are under rated conditions unless otherwise specified.
 Use included nuts for installation.
 For basic equipment order female with cable.
 Order code for female with 5m cable: BKS-S116-PU-05
 For installation in metal: Observe clear zone.
 * Connection RTS (TP) enables TP display in program BISCOMRW.EXE.
 # OUT TP switches to +24V when there is a data carrier in the zone.
 For further information on MTTF/B10d, please refer to the MTTF / B10d Certificate.
 Specification of the MTTF value and the B10d value do not represent any binding quality and/or life expectancy guarantees.

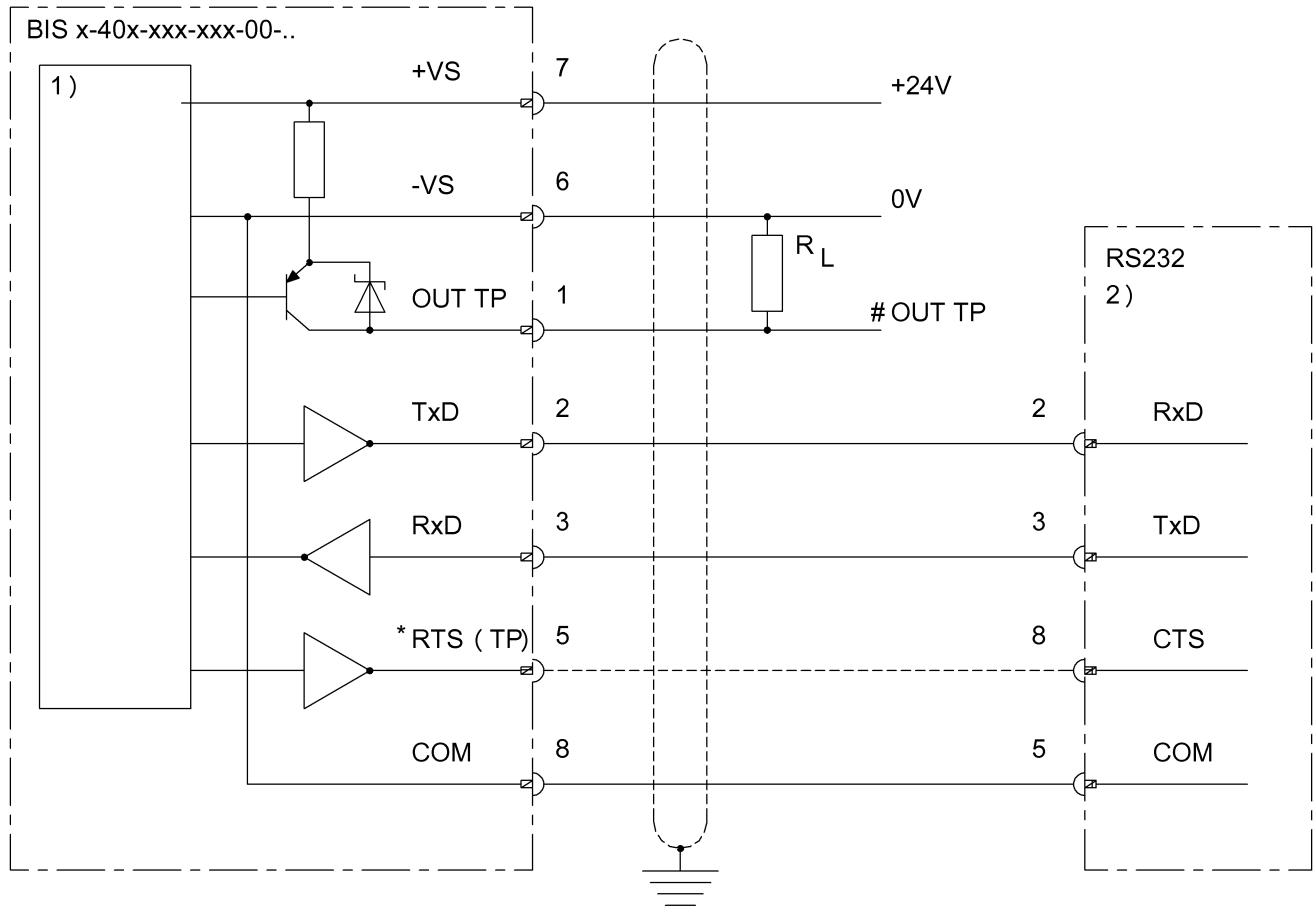
Connector view



1) View towards connector

BIS L-400-035-003-00-S115
BIS00C9

Wiring Diagram



1) Internal circuit 2) 9-pin connection

BIS L-400-035-003-00-S115
BIS00C9

Additional View

BIS L-400-035-003-00-S115
BIS00C9