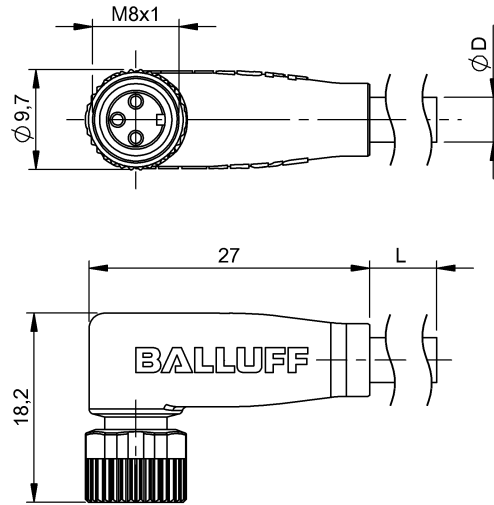


BCC M323-0000-10-004-PX0334-030
BCC08LW



4MT5
(CJ/VV CABLE ASSEMBLY)

Display/Operation

Function indicator (Pin 4)	LED yellow
Power indicator	LED green

Electrical connection

Bending radius min., fixed cable	5 x D
Bending radius min., flexible cable	10 x D
Cable	PUR black, 3.00 m, Drag chain compatible
Cable diameter D	4.30 mm ±0.20 mm
Cable, bending cycles min.	5 million
Conductor cross-section	0.34 mm ²
Number of conductors	3
Number of pins	3
System	Molded

Electrical data

Horizontal travel permitted, drag chain	5 m
Operating voltage U _b	30 VDC
Rated current (40 °C)	4.0 A
Vertical travel permitted, drag chain	5 m

Environmental conditions

Cable temperature, drag chain	-25...60 °C
Cable temperature, fixed routing	-50...90 °C
Cable temperature, flexible routing	-25...90 °C
Protection type IEC 60529	IP67

Functional safety

Cable temperature UL max., fixed routing	80 °C
Cable temperature UL max., flexible routing	80 °C

General data

Approval/Conformity	cULus LISTED
---------------------	--------------

Material

Material contact carrier	PUR
Material contacts	Bronze
Material cover nut	Die-cast zinc
Material grip	PUR

Mechanical data

Acceleration max., drag chain	5 m/s ²
Tightening torque pigtail	0.4 Nm
Traverse speed max., drag chain	200 m/min

Output/Interface

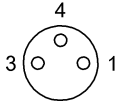
Switching output	PNP Normally open (NO)
------------------	------------------------

Remarks

Enclosure rating per IEC 60529, only in screwed state with the associated mating piece.
Cable construction acc. to UL-AWM Style 20549
Halogen-free per DIN VDE 0472 Part 815
Silicone-free
Flame-retarding acc. to IEC 60332-2

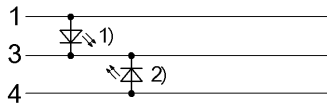
BCC M323-0000-10-004-PX0334-030
BCC08LW

Connector view



PIN 1: brown PIN 3: blue PIN 4: black

Wiring Diagram



1) Green LED = Power 2) Yellow LED = Function