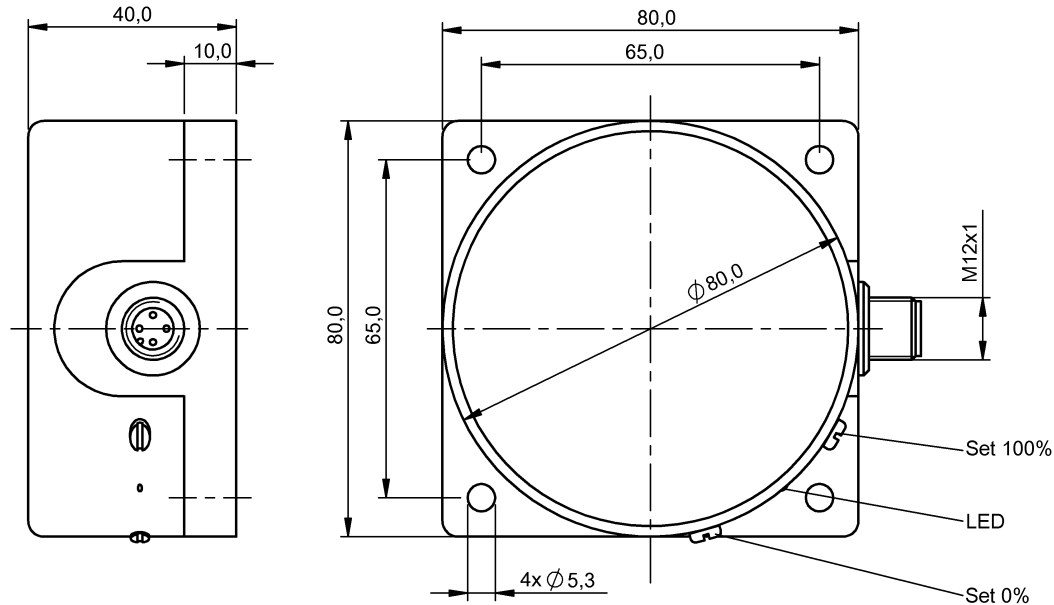


BAW MKK-050.19-S4 BAW003K



Display/Operation

Power indicator	no
-----------------	----

Electrical connection

Connection	M12x1-Connector, 4-pole, A-coded
Polarity reversal protected	yes
Short-circuit protection	yes

Electrical data

No-load current I_0 max. at U_e	12 mA
Operating voltage U_b	20...30 VDC
Pollution degree	3
Protected against miswiring	yes
Rated insulation voltage U_i	75 V DC
Rated operating voltage U_e DC	24 V

Environmental conditions

Ambient temperature	-10...70 °C
Protection type IEC 60529	IP67

General data

Approval/Conformity	CE
Basic standard	BWN PR 44 IEC 60947-5-2 IEC 60947-5-7

Material

Housing material	PBT
Material sensing surface	PBT

Mechanical data

Dimension	80 x 80 x 40 mm
Installation	non-flush

Output/Interface

Analog output	Analog, voltage, Voltage falling on approach
---------------	--

Range/Distance

Measuring range	0...50 mm
Non-linearity max.	±1500 µm
Range	0...50 mm

BAW MKK-050.19-S4 BAW003K

Repeat accuracy 0.3 % FS
Ripple max. (% of U_e) 15 %

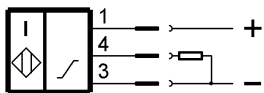
Remarks

With connector, e.g. BKS-S 20-... total length = switch length +18 mm.
Values referenced to axial approach of St 37 target. For other materials
correction factors are applied.

Connector view



Wiring Diagram



Diagram

