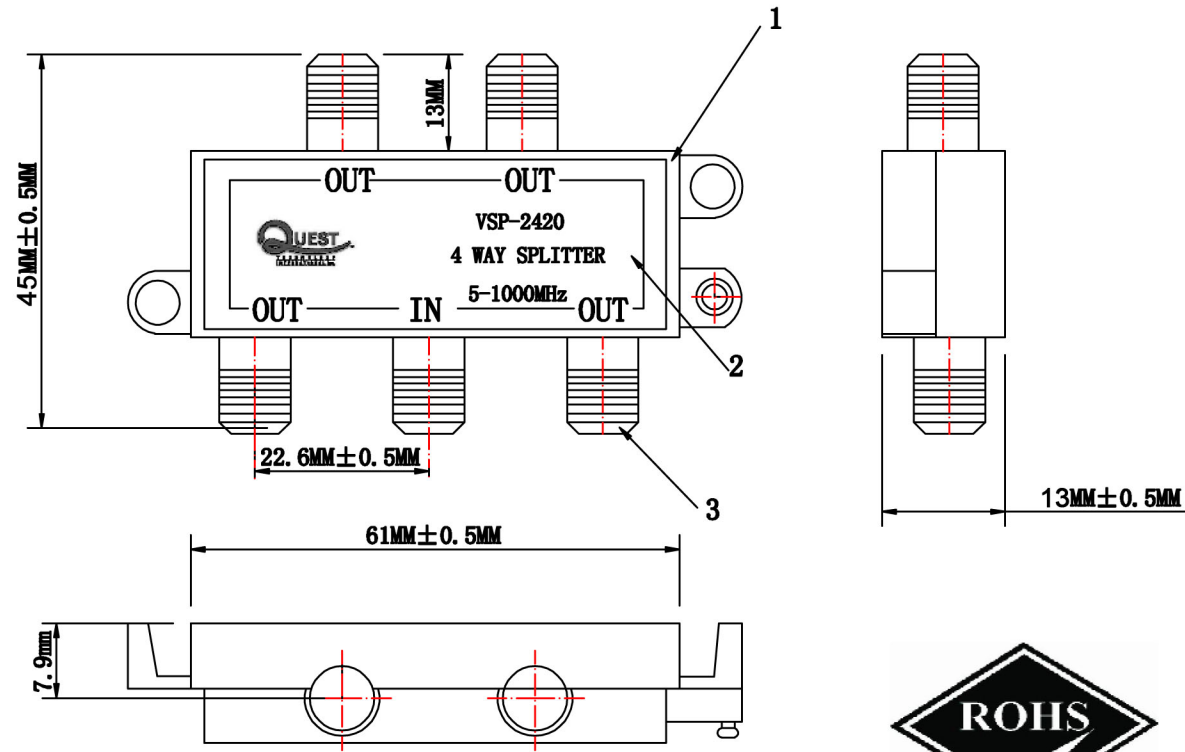


BACK SIDE



## PARAMETERS

ITEM NO.	SPEC.	FREQUENCY RANGE	INSERTION LOSS (DB)	ISOLATION (DB)	RETURN LOSS (DB)
		5-47MHZ	7.5 ± 1DB	20 ± 1DB	12 ± 1DB
VSP-2420	5-1000MHZ	47-470MHZ	8.0 ± 1DB	20 ± 1DB	12 ± 1DB
ALLPORTS					
POWER PASS		470-860MHZ	8.5 ± 1DB	23 ± 1DB	12 ± 1DB
		860-1000MHZ	8.8 ± 1DB	22 ± 1DB	12 ± 1DB

NO.	Q' TY	DESC.	MATERIAL
1	1	Housing	Zinc-Alloy, Nickel plated
2	1	Back plate	Iron, Nickel plated
3	5	F-Port	Zinc-Alloy, Nickel plated
4	2	Mounting screws	Iron, Nickel plated



Quest Technology Int'l, Inc.  
11200 NW 138th St., Muckley, FL 33178  
Tel: 305-612-3658 Fax: 305-612-9676  
www.QuestTechnology.com

DESCRIPTION 4 WAY SPLITTER

PART NO VSP-2420

DRAW

JACKY

CONSUMER

CHECK

DATE

2016/07/04

REV.

APP.

SHEET

1/1

UNIT mm

SCALE 1:1