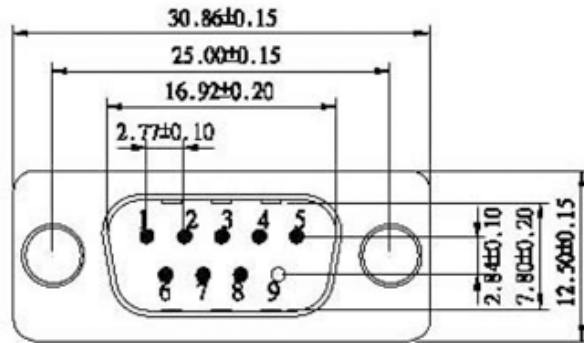
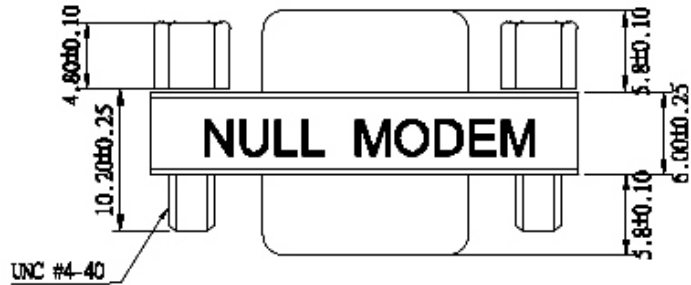
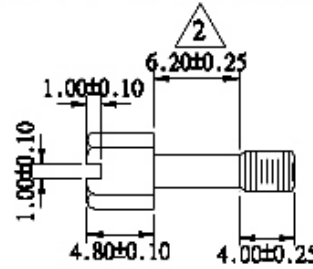
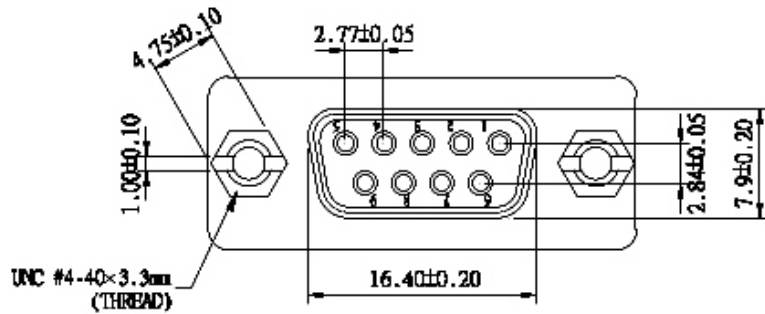


UNC #4-40 Hexscrew



DB9F/M ADAPTOR

PIN OUT: 09Female		09Male	
2	-----	3	
3	-----	2	
4	-----	1	
5	-----	6	
1	-----	4	
6	-----		
7	-----	8	
8	-----	7	
G	-----	G	

Label: Orange color with white character
 One side: NULL MODEM
 The other side: MINI ADAPTER
SPECIFICATION
 INSULATOR: PBT Glass fibre reinforced UL 94 V0
 CONTACT: Brass
 CONTACT PLATING: Gold plated over nickel
 SHELL: Tin plated shell
 CURRENT RATING: 3 AMP
 DIELECTRIC STRENGTH: 500V AC for one minute
 INSULATOR RESISTANCE: 500MΩ min at 500V DC
 TEMPERATURE: -25°C—+105°C

Customer	REVISION	DESCRIPTION	DATE	Edition				
	2	修改螺絲(螺絲5.2mm改為6.2mm)	2003/07/02	A2	SCALE	PART NO.	DWG NO.	DATE
	1	修改規格(R.O.C. PATENT 105471 改為 MINI ADAPTER)	2002/1/14		2:1	NGC-5105	31D1-28400	2/Jul-2003
					UNIT			
					mm			
					Page	DRAWN	CHECKED	APPRD
					1/1	<i>Fu Hsu</i>		