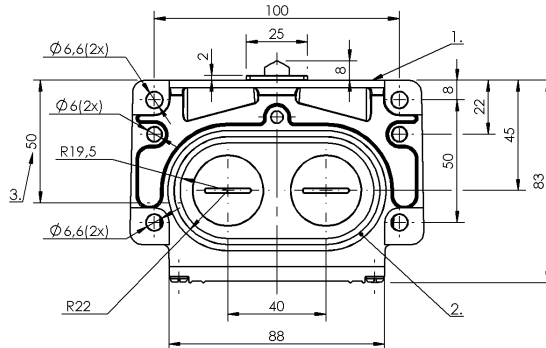
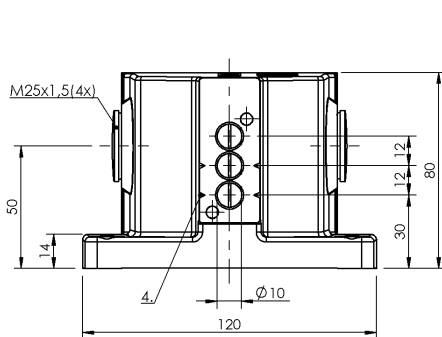


BNS 813-D03-D12-100-10-02 BNS00TE



1) Reference edge 2) Sealing ring 3) Cable passage 4) Mark. Safety switch position



Display/Operation

Function indicator 1-3. Switch position: None

Electrical connection

Connection type 1-3. Switch position: Screw terminal

Electrical data

Continuous current 1-3. Switch position: 6 A
 Rated operating voltage U_e 1-3. Switch position: 250 VAC
 Switching rate 1-3. Switch position: 300/min

Environmental conditions

Ambient temperature -5...85 °C
 Protection type IEC 60529 IP67

Functional safety

B10d BSE 30.0: 30 mil. switching cycles
 BSE 61: 30 mil. switching cycles
 Diagnostic coverage 0.0 %
 Functional safety no
 Mission Time 20 a

General data

Approval/Conformity CE
 CCC
 Basic standard IEC 60947-5-1

Internet www.balluff.com
 Balluff Germany +49 (0) 7158 173-0, 173-370
 Balluff USA 1-800-543-8390
 Balluff China +86 (0) 21-50 644131

DIN switch

Operating principle

Version

DIN 43697

1-3. Switch position: mechanical

Safety EN 60204-1

Material

Housing material

Material contacts

Plunger material

Surface protection

Aluminum

1-2. Switch position: Fine silver
 3. Switch position: Fine silver, gold plated

1-3. Switch position: Stainless steel (1.4034)

anodized

Mechanical data

Approach direction

Approach speed

Dimension

Distance cam - reference edge

Flange, feed-through

Installation

Life expectancy mechanical

Number of switching positions

Plunger spacing 1st switch position

Plunger style

Switch actuation force

Switching element

longitudinal, parallel to attachment surface

1-3. Switch position: 40 m/min

120 x 80 x 83 mm

1-3. Switch position: 4.50... 5.00 mm

2 threaded exit M25

Vertical

1-3. Switch position: 30 mil. switching operations

3x Chisel

30 mm

1-3. Switch position: Chisel

1-2. Switch position: 15 N

3. Switch position: 20 N

1-2. Switch position: BSE 10

3. Switch position: BSE 30.0

Range/Distance

Reproducibility

For definitions of terms, see main catalog
 Subject to change without notice

1-3. Switch position: ± 0.02 mm

eCl@ss 9.1: 27-27-06-02 1(2)
 ETIM 6.0: EC001829
 BNS00TE_09-03-17_21:52

BNS 813-D03-D12-100-10-02 BNS00TE

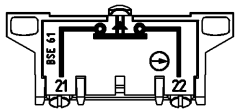
Switch position spacing 12 mm

Specification of the MTTF value and the B10d value do not represent any binding quality and/or life expectancy guarantees.

Note that the products listed here are not themselves safety components according to the Machine Directive 2006/42/EG Article 2 c. It is however possible to create corresponding structures with a high Performance Level per EN 13849-1 by means of two-channel utilization.

Wiring Diagram

BSE 61



BSE 30.0

