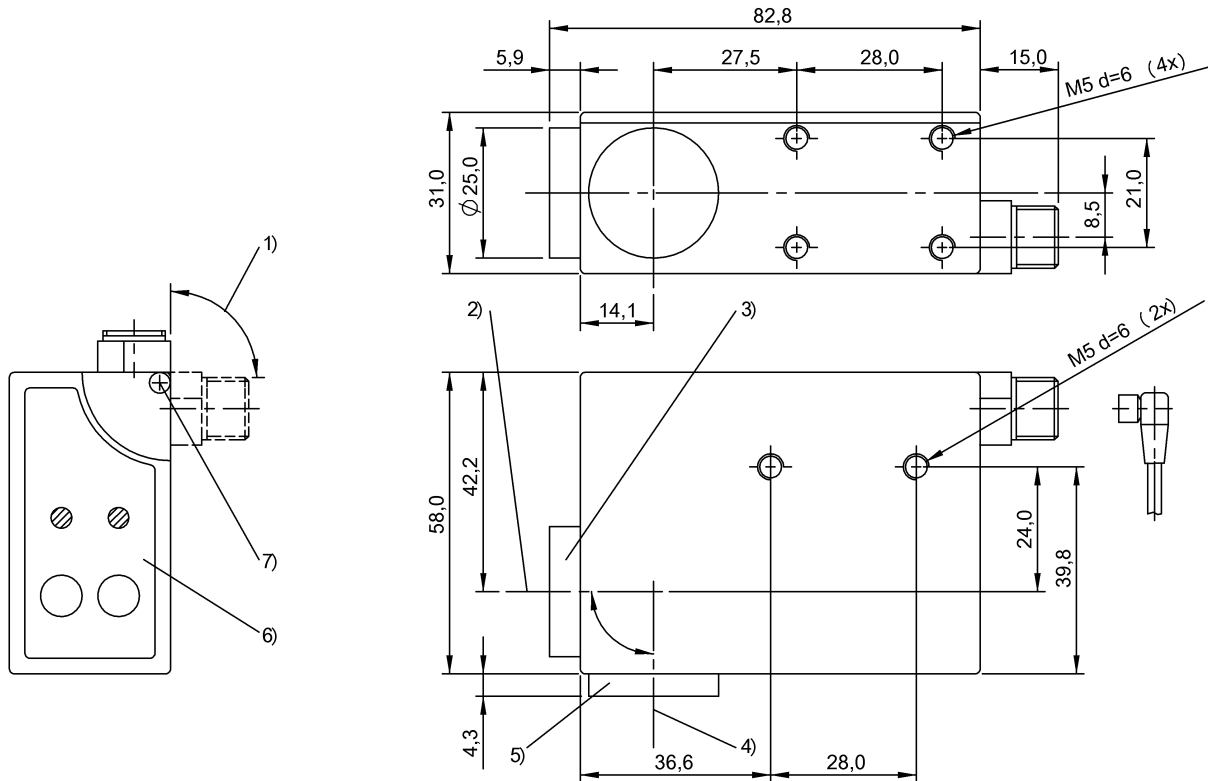


BKT M-15C-U-S4 BKT000N



2) Light exit optional 2) rotatable 270° 3) Cover cap, removable 4) Light exit standard 5) standard lens, removable 6) Display and control panel 7) Latch



Display/Operation

Adjuster	Slide switch (3x) Key (2x)
Setting	Key disable on/off Time function on/off Light-on/dark-on Switching output PNP/NPN Contrast (switching point)

Turn-off delay toff max.	0.05 ms
Turn-on delay ton max.	0.05 ms
Voltage drop Ud max. at Ie	2 V

Environmental conditions

Ambient temperature	-10...55 °C
Protection type IEC 60529	IP67

Electrical connection

Connection	M12x1-Connector, 4-pole, A-coded
Polarity reversal protected	yes
Short-circuit protection	yes

General data

Additional features	Optics convertible (light exit 0°/90°), vertical light spot
Approval/Conformity	CE
Basic standard	IEC 60947-5-2
Series	M
Style	Square Connection can be rotated

Electrical data

Load resistance RL min. (Analog V)	2.2 kOhm
No-load current Io max. at Ue	80 mA
Operating voltage Ub	10...30 VDC
Output resistance Ra	10.0 kOhm
Rated operating current Ie DC	200 mA
Rated operating voltage Ue DC	24 V
Switching frequency	10000 Hz

Material

Housing material	Zinc, Die casting
Material sensing surface	Glass
Surface protection	Painted

BKT M-15C-U-S4 BKT000N

Mechanical data

Dimension	31 x 97.8 x 62.3 mm
Fastening detail	Screw M5

Optical data

Ambient light max.	5000 Lux
Beam characteristic	Focused
Light type	White light
Wave length	400...700 nm

Output/Interface

Analog output	Analog, voltage, 0...5.5 V
Duration of time function	20 ms
Input function	Same function as button
Switching output	PNP/NPN Normally open/ Normally closed (NO/NC)

Time function

switch-off delay

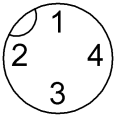
Range/Distance

Measuring range	7...11 mm
Range	7...11 mm
Ripple max. (% of Ue)	10 %

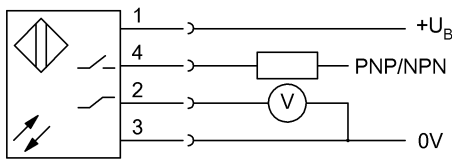
Remarks

Do not press key using a pointed tool.
Order accessories separately.
For additional information, refer to user's guide.
Reference object (target) for analog output: gray card, 100 x 100, 90 % remission, axial approach.
Reference object (target): Color bar card, 100 x 100, contrast yellow/white and blue/black, lateral approach of color bars.
The sensor is functional again after the overload has been eliminated.

Connector view

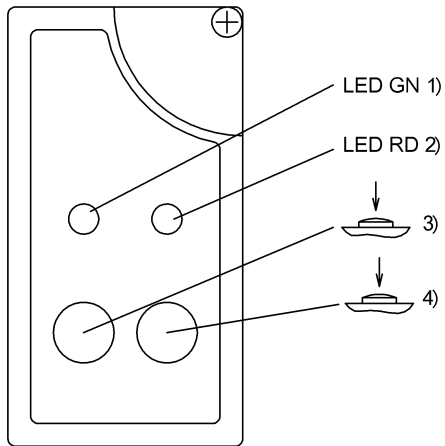


Wiring Diagram



BKT M-15C-U-S4
BKT000N

Additional View



1) stability 2) Output function 3) Store background 4) Store marking

Symbols for Optoelectronic Sensors

