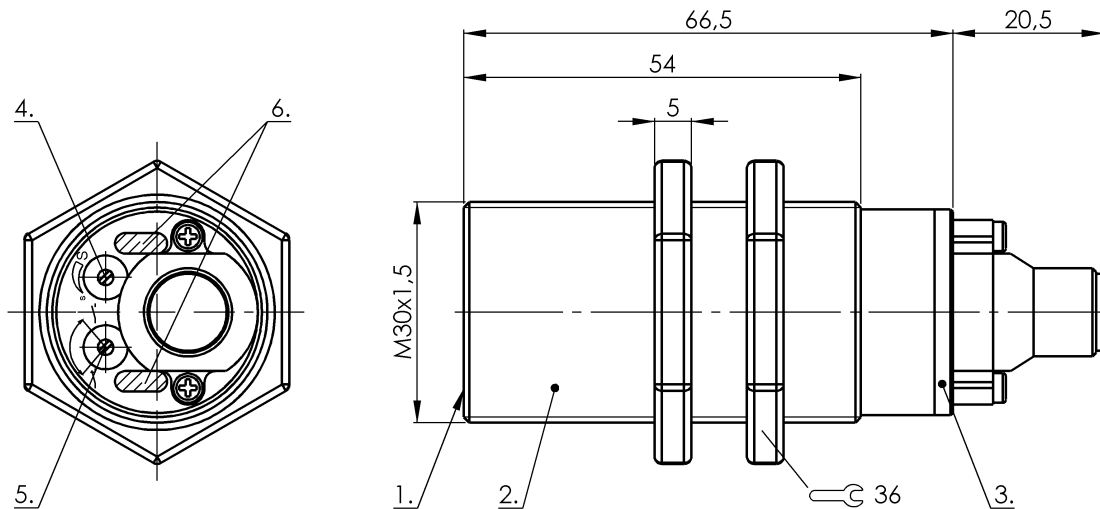


## BCS M30BBM2-PPM20C-S04G BCS004M



1) Sensing surface 2) Housing 3) Cover 4) Potentiometer 5) NO or NC selectable 6) LED function indicator



IND. CONT. EQ.  
81U2  
for use in the secondary of  
a class 2 source of supply

### Display/Operation

Function indicator	yes
Power indicator	yes

### Electrical connection

Connection	M12x1-Connector, 4-pole, A-coded
Polarity reversal protected	yes
Short-circuit protection	yes

### Electrical data

Hysteresis H max. (% of Sr)	15.0 %
MTTF (40 °C)	455 a
Operating voltage $U_b$	10...35 VDC
Protected against miswiring	yes
Rated insulation voltage $U_i$	75 V DC
Rated operating current $I_e$ DC	300 mA
Repeat accuracy max. (% of Sr)	5.0 %
Switching frequency	100 Hz
Utilization category	DC-13
Voltage drop static max.	1.8 V

### Environmental conditions

Ambient temperature	-30...70 °C
Protection type IEC 60529	IP66 IP64 at connector output

### Functional safety

Diagnostic coverage	0 %
Functional safety	no

### General data

Approval/Conformity	CE cULus
Basic standard	IEC 60947-5-2
Scope of delivery	Nut (2x)

### Material

Cover material	PBT PE
Housing material	PBT
Material cover	PBTPE
Material sensing surface	PBT

### Mechanical data

Dimension	undefined
Installation	for flush mounting
Size	M30x1.5
Tightening torque	4 Nm

### Output/Interface

Switching output	PNP Normally open/Normally closed (NO/NC)
------------------	---

### Range/Distance

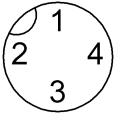
Measuring range	1...20 mm
Range	1...20 mm
Rated operating distance $S_n$	20 mm
Ripple max. (% of $U_e$ )	10 %
Temperature drift max. (% of Sr)	20 %

## BCS M30BBM2-PPM20C-S04G BCS004M

For further information on MTTF/B10d, please refer to the MTTF / B10d Certificate.

Specification of the MTTF value and the B10d value do not represent any binding quality and/or life expectancy guarantees.

### Connector view



### Wiring Diagram

