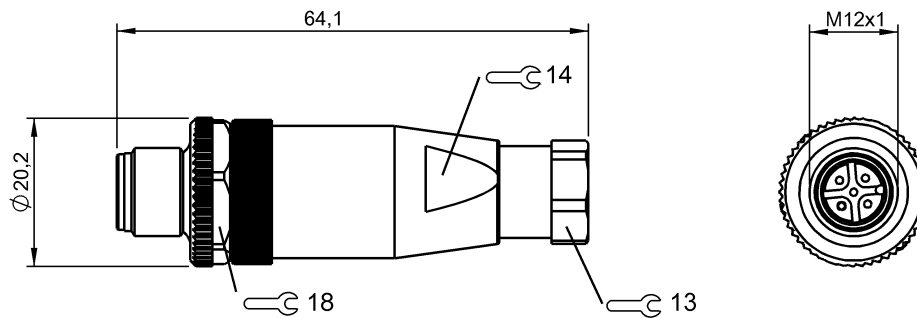


BCC M435-0000-2A-000-41X575-000
BCC06YA



Display/Operation

Power indicator no

Electrical connection

Cable diameter D 4...6 mm
Number of pins 5
System Can be fabricated

Electrical data

Rated current (40 °C) 4.0 A

Environmental conditions

Ambient temperature -25...85 °C
Protection type IEC 60529 IP67

Material

Material contact carrier PA
Material contacts Brass
Material cover nut Die-cast zinc
Material grip PA

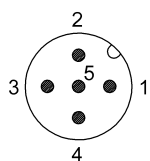
Mechanical data

Connection cross-section 0.14...0.75 mm²
Tightening torque pigtail 0.6 Nm
Type of wire mounting Screw terminals

Remarks

Enclosure rating per IEC 60529, only in screwed state with the associated mating piece.

Connector view



PIN 1-5 usable