

Professionally approved products.

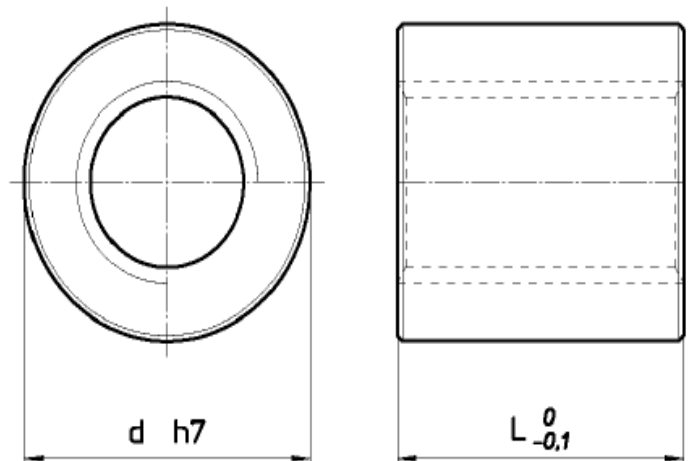
Datasheet

RS Trapezoidal Nut Type HBD – Cylindrical Bronze

Material EN 1982 Cu Sn7 Zn4 Pb7-C – CC493K



chamfer 1x45°



Cylindrical bronze nut for movement with modest loads compared with FXN, HDL and HAL. Good lubrication is recommended.

RS Number	Screw Type	Material	Screw	Diameter x lead	Thread starts	d mm	L mm	Wt. kg/each	At mm ² (1)
8625345	Trapezoidal	Bronze EN 1982 Cu Sn7 Zn4 Pb7-C -CC493K	Right	Tr 10x2	1	22	20	0.058	200
8625354	Trapezoidal	Bronze EN 1982 Cu Sn7 Zn4 Pb7-C -CC493K	Right	Tr 12x3	1	26	24	0.094	396
8625357	Trapezoidal	Bronze EN 1982 Cu Sn7 Zn4 Pb7-C -CC493K	Right	Tr 14x3	1	30	28	0.146	526
8625351	Trapezoidal	Bronze EN 1982 Cu Sn7 Zn4 Pb7-C -CC493K	Right	Tr 16x4	1	36	32	0.245	704
8625360	Trapezoidal	Bronze EN 1982 Cu Sn7 Zn4 Pb7-C -CC493K	Right	Tr 18x4	1	40	36	0.337	905
8625363	Trapezoidal	Bronze EN 1982 Cu Sn7 Zn4 Pb7-C -CC493K	Right	Tr 20x4	1	45	40	0.476	1130
8625367	Trapezoidal	Bronze EN 1982 Cu Sn7 Zn4 Pb7-C -CC493K	Right	Tr 22x5	1	45	40	0.456	1225
8625376	Trapezoidal	Bronze EN 1982 Cu Sn7 Zn4 Pb7-C -CC493K	Right	Tr 24x5	1	50	48	0.680	1620

(1) Total bearing surface between screw and nut teeth on plane perpendicular to axis.