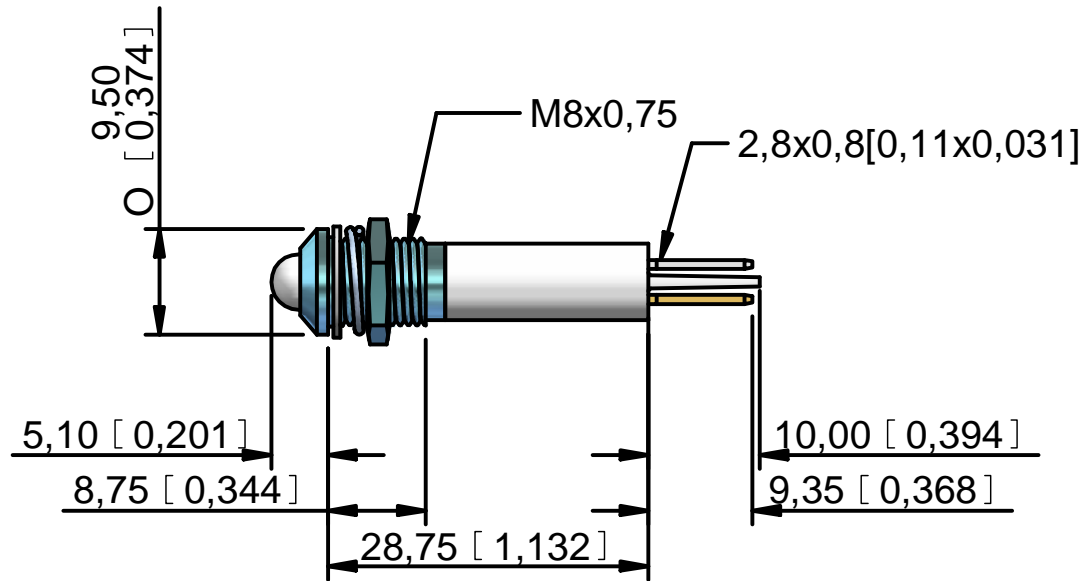


RS ITEM NO: 8385567

ITEM NO: Q8P1CXXHW24E-X0350



LED/Multiled :	LED	Optimum voltage (V) :	24VDC	Intensity :	350mcd@20mA
Mounting Size :	8mm	Rectifier :	-	Reverse Protection Diode Fitted	
Bezel Finish :	Bright Chrome	AC current :	-		
Sealing Protection :	IP67	DC current :	1mA (Approx)		
Bezel Style :	PROMINENT	Voltage Tolerance(%) :	10%		
Chip Qty :	1	Optimum temperature (°C) :	-40°C...+85°C		
LED colour :	WHITE	Storage temperature (°C) :	-40°C...+85°C	Principal Attributes	
Wavelength (nm) :	X 0.31 Y 0.31	Contact Tab x 2 :	2.8x0.8mm		



Dimension in mm (typical), not to scale.

We reserve the right to make changes without further notice to this product to improve reliability, function or design.