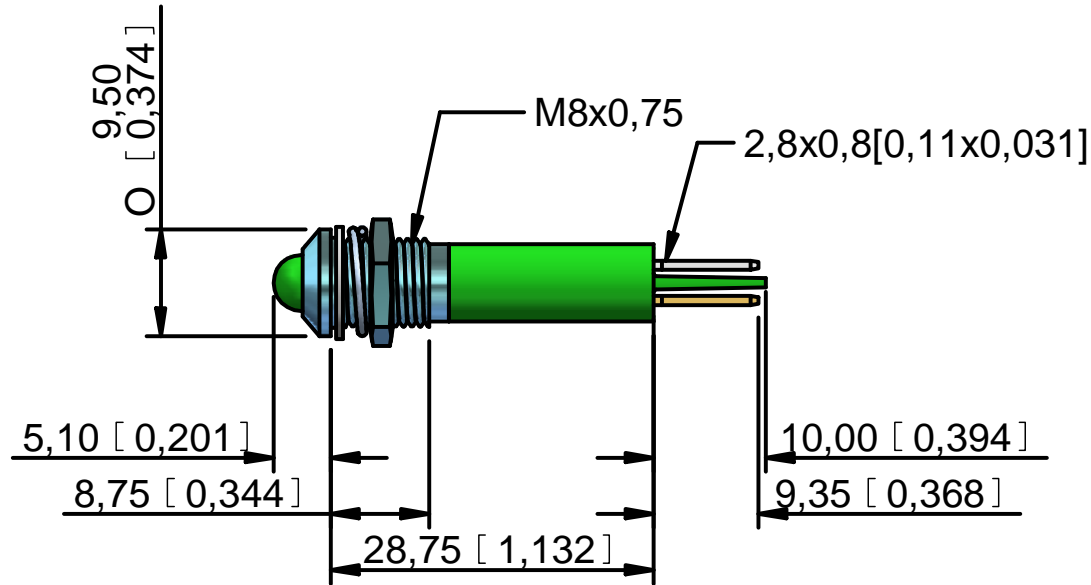


RS ITEM NO: 8385542

ITEM NO: Q8P1CXXHG24E-X0350



LED/Multiled :	LED	Optimum voltage (V) :	24VDC	Intensity : 1200mcd@20mA
Mounting Size :	8mm	Rectifier :	-	Reverse Protection Diode Fitted
Bezel Finish :	Bright Chrome	AC current :	-	
Sealing Protection :	IP67	DC current :	1mA (Approx)	
Bezel Style :	PROMINENT	Voltage Tolerance(%) :	10%	
Chip Qty :	1	Optimum temperature (°C) :	-40°C...+85°C	
LED colour :	GREEN	Storage temperature (°C) :	-40°C...+85°C	Principal Attributes
Wavelength (nm) :	525	Contact Tab x 2 :	2.8x0.8mm	



Dimension in mm (typical), not to scale.

We reserve the right to make changes without further notice to this product to improve reliability, function or design.