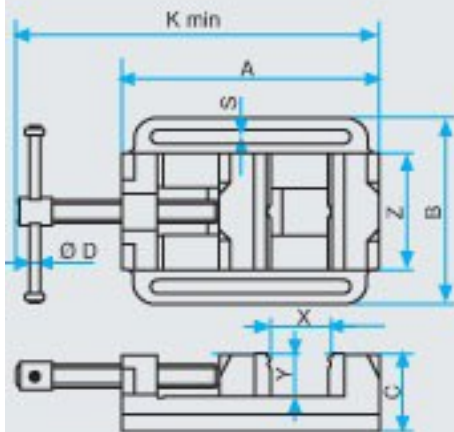


Drill Press Vice

Rugged design and large workload capacity make the drill press vice perfect for the most difficult drilling, tapping or reaming operations.



| RS CODE | Size (mm) | AxBxC | X max. xYxZ | K min | S | Ø D | |
|---------|-----------|------------|-------------|-------|----|-----|---|
| 8296133 | 80 | 186x140x70 | 80x44x85 | 240 | 13 | 10 | 1 |
| 8296142 | 100 | 220x160x73 | 100x44x105 | 273 | 13 | 10 | 1 |