



**Professionally approved products.**

Product Datasheet

# **Air Conditioning Hose Cutter**

EN



**RoHS**



**Specifications:**

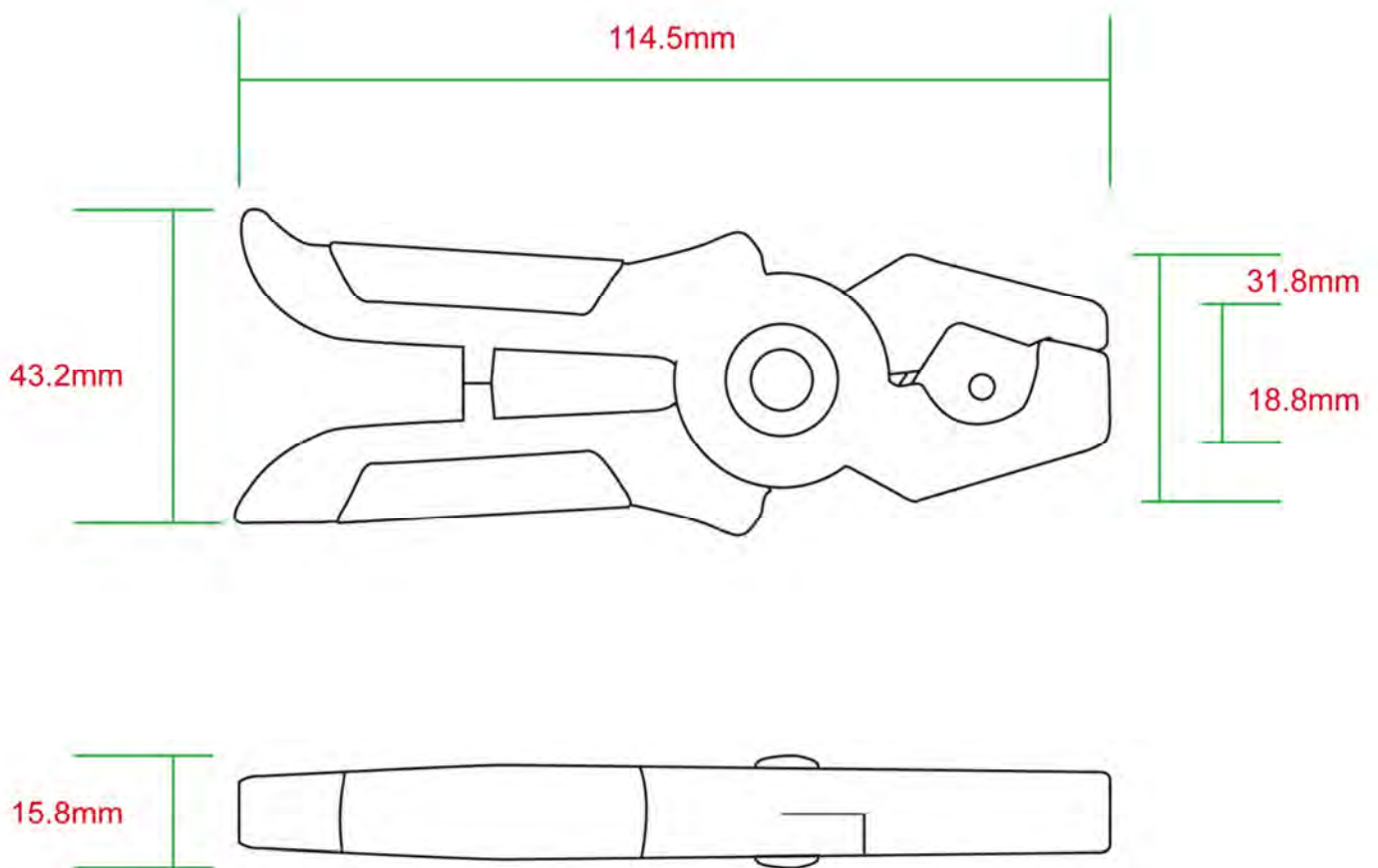
**Heat treated stainless steel blade for durability.**

**Overall length: 4-1/2".**

**Small handle is ideal for use in limited space.**

**Cuts through vinyl, poly and most hoses up to 1/2" (13mm) diameter.**

**Dimensions:**



**Operating Instructions:**

