



Professionally approved products.

Product Datasheet

# Joystick

EN



825-2583



825-2587

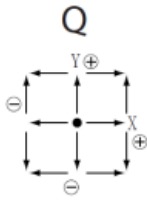
CE



RS 4 - Y Q - 0 4 R2 G - G M  
 1 2 3 4 5 6 7 8 9 10

825-2583 (RS4-YQ-04R2G)  
 825-2587 (RS4-YQ-05R2G-GM)

1. RS joystick switch.
2. 4 means approx. size of base housing in cm
3. Y means 2-axes coordinate
4. Q means lever operation as below:



6. Number of switches
  - 4.....4 micro-switches mounted
  - 5... ..with 4 micro-switches & 1 push button switch
7. With spring return device
 

R2: means with spring return for 2 axes.
8. G means with dust proof rubber cover
9. Available button colors of switch for push-button knob
 

G: Green

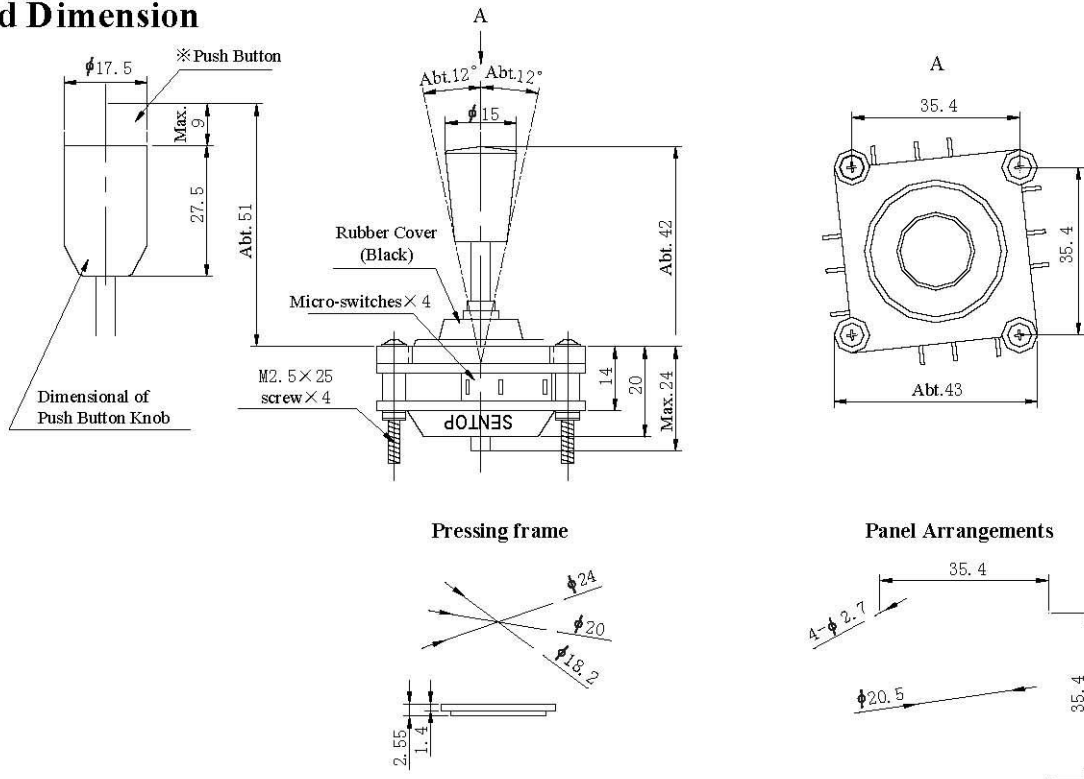
5. Number of potentiometers
 

0..... no potentiometers

10. Available switch function for push-button knob
 

M: Momentary

**Standard Dimension**





**8252583**  
**(RS4-YQ-04R2G)**  
(Standard)

### Standard Specifications

#### ● Mechanical Performances

##### Controlling range of operating lever:

X、Y axes Approx.  $\pm 12^\circ$  from the centre position

##### Operating force (standard spring return device):

Approx. 2.2N ~ 2.8N (220gf ~ 280gf)

Operating temperature range:  $-20^\circ\text{C} \sim +65^\circ\text{C}$

Vibration: 10 ~ 55Hz 98m/S<sup>2</sup> (10G)

Shock: 294m/S<sup>2</sup> (30G)

Degrees of Protection: IP65 (above mounting panel)

Life expectancy: Approx. 200,000 operations

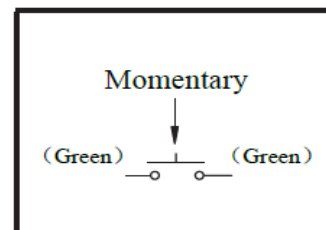
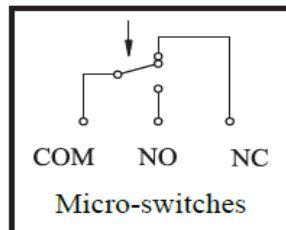
Mass: Approx. 40g

#### ● Electrical Performances

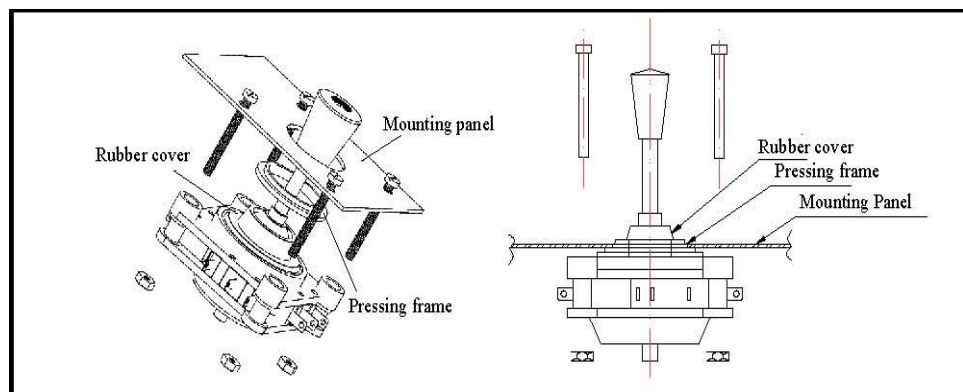
Rating of push-button switch: 50VDC/0.1A

Rating of micro-switches: 250VAC/5A

#### ● Terminal Connection Diagram



**8252587**  
**(RS4-YQ-05R2G-GM)**  
(with Push Button Handle)



### Mounting Method