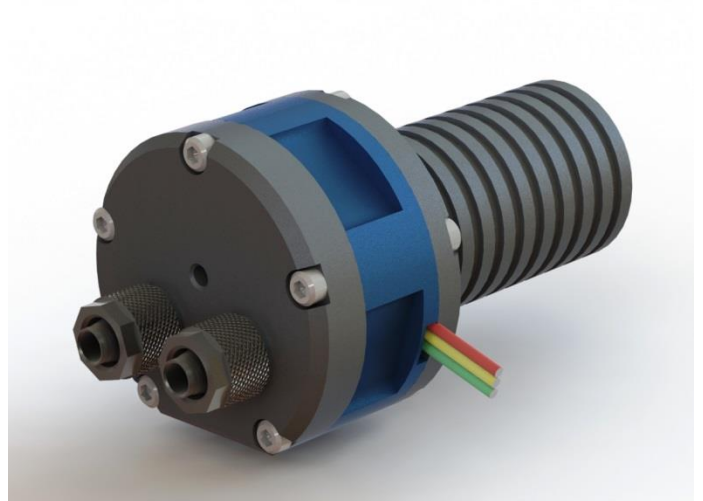
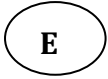




**Professionally approved products.**

Product Datasheet

# **RS MG2000 Micro Pump**





*RS, Professionally Approved Products, gives you professional quality parts across all products categories. Our range has been testified by engineers as giving comparable quality to that of the leading brands without paying a premium price.*

## **RS MG2000 Micro Pump**

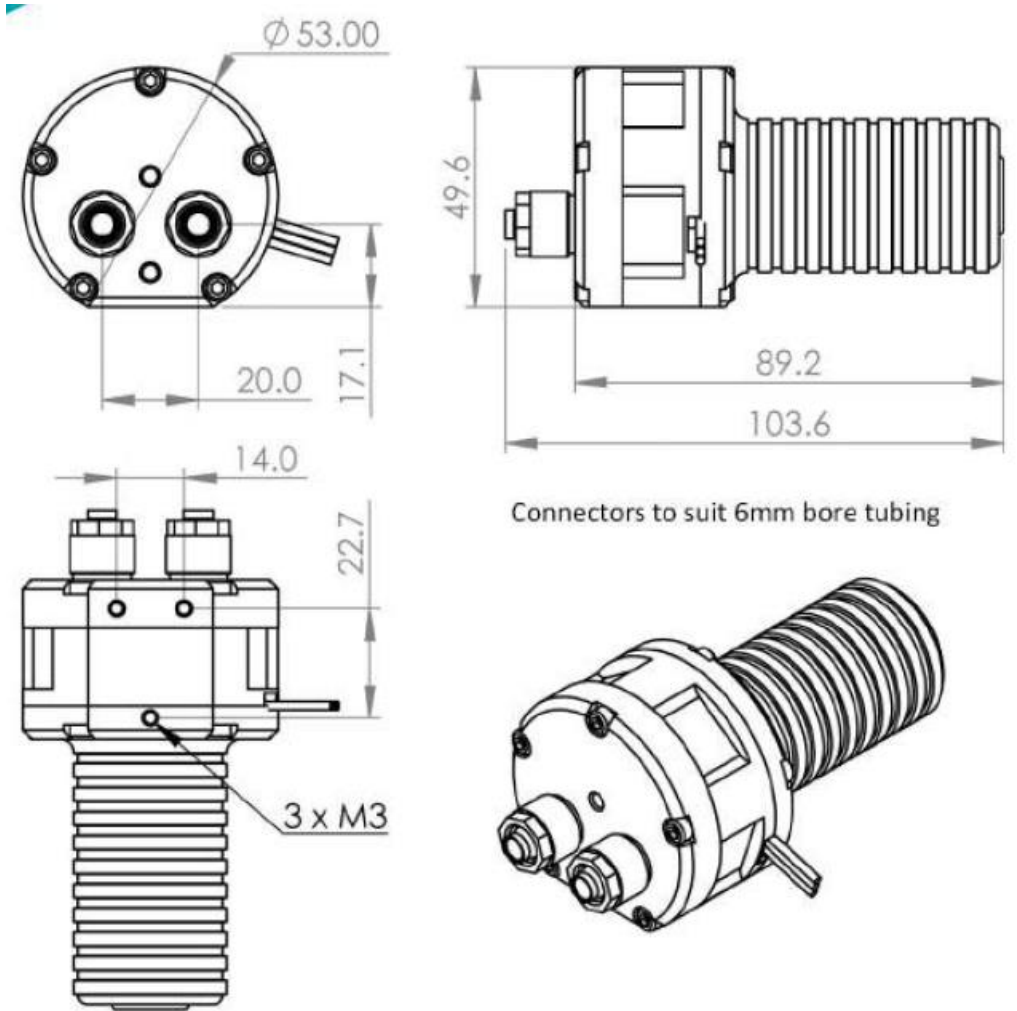
The MG2000 series of pumps deliver consistent flow with high or low pressure. It is suitable for low or high viscosity liquids and is self-priming. The body is constructed from precision CNC machined aluminium alloy and wetted parts are stainless steel, PEEK and polyacetal. The MG2000 range can be used with all common liquids and also resists most chemicals and solvents. The pump has two tubing connector options; stainless steel threaded tubing connectors for quick and easy connection to tubing, or for directly mounting to your manifold. Flow is reversible.

### **Standard features:**

- High pressure capability
- Self priming
- High and low viscosity fluids
- Smooth almost pulseless flow
- Reversible Flow
- CNC aluminium alloy construction
- Small size only 90 x 53 x 50 mm
- Weight 340g
- Operating Temp -20 to 100 deg C
- IP Rating IP67
- Noise Levels 15dB

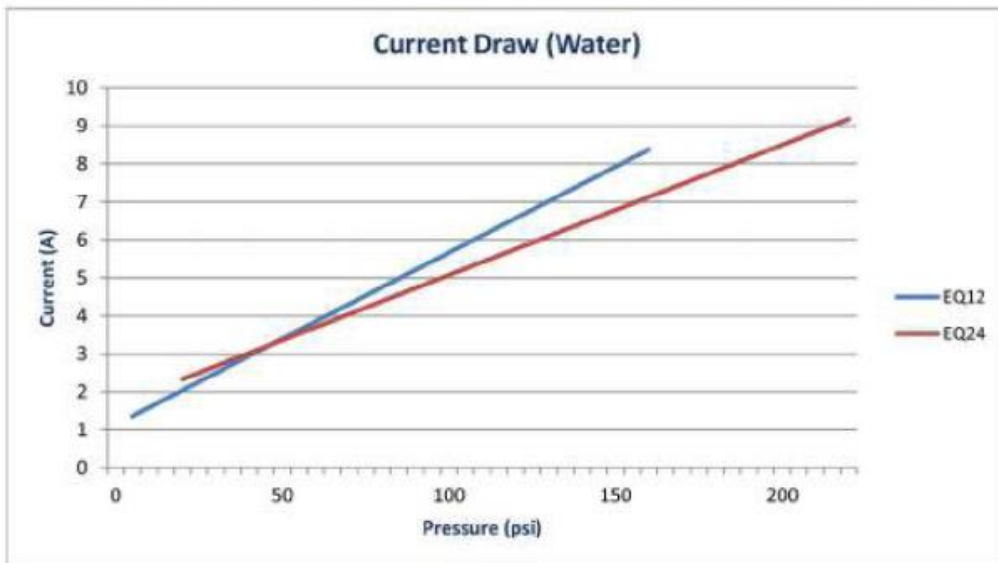
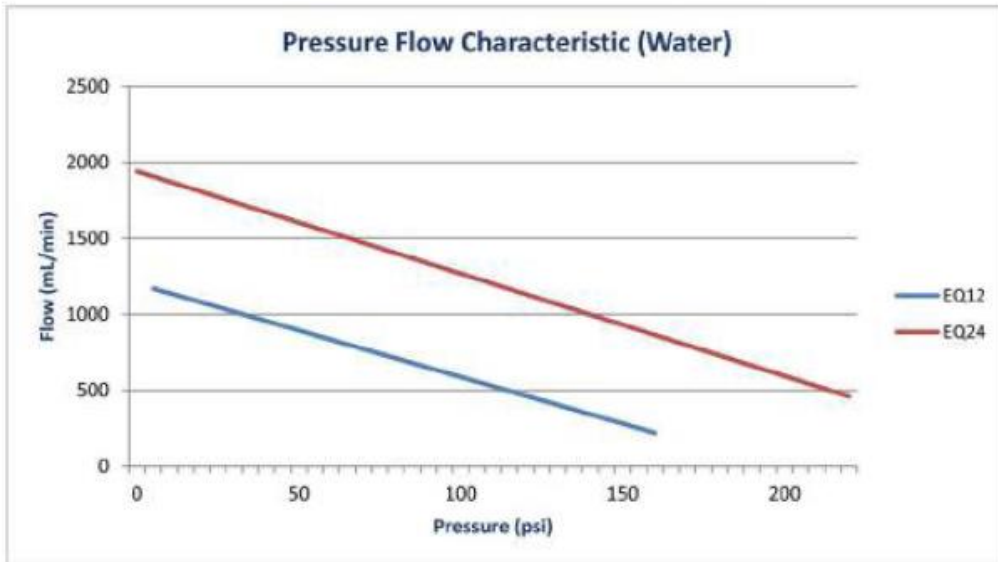
### **Typical Applications**

- Medical devices
- Fuel cells
- High pressure fuel pump
- Cooling systems
- Precision flow
- Lubrication systems



RS	MPN	Pump	Controller	Input (V)	Power (W)	Flow (ml/min)	Pressure (psi)
8170769	MG2000S-PK-12	MG2000S	EQ12	12	15-99	1170	160.0
8170762	MG2000S-PK-24		EQ24	24	40-216	1940	220.0

Stock number 8170766 will require a controller, 8170769 and 8170762 come with controllers as indicated by the table above



Pressure shown is the not to exceed value. All MG2000 pump variants are capable of more than the indicated figure but exceeding this may result in damage to the pump.