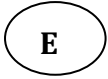




**Professionally approved products.**

Product Datasheet

# **RS D220BL Micro Pump**





*RS, Professionally Approved Products, gives you professional quality parts across all products categories. Our range has been testified by engineers as giving comparable quality to that of the leading brands without paying a premium price.*

## **RS D220BL Brushless Micro Pump with Controller**

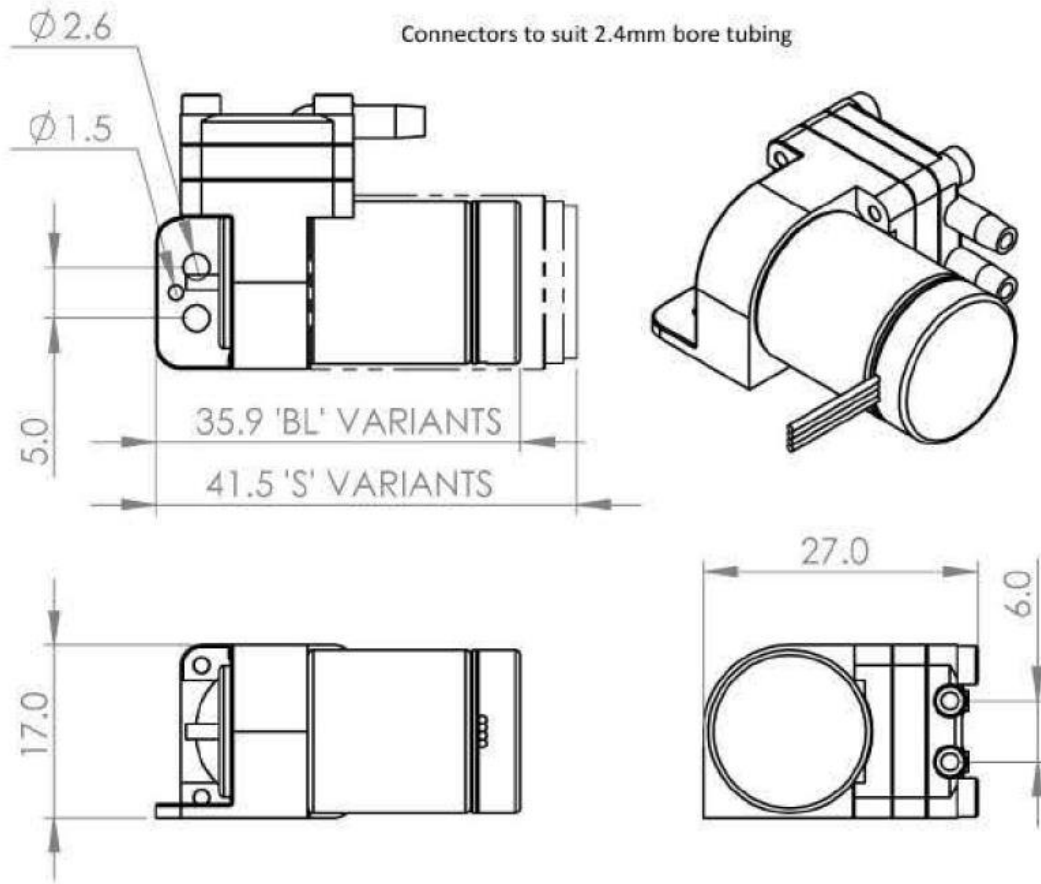
The 0200 series range of pumps are constructed from glass filled nylon or aluminium alloy (6000 series+ anodising) with stainless steel tubing connectors. They are fitted with Nitrile / Silicon diaphragm and valves as standard but alternative wetted part options are available enabling this pump range to resist most chemicals and solvents. The pump uses efficient push fit connectors designed for 2.4mm bore flexible tubing.

### **Standard features:**

- High Efficiency
- Variable flow rate and power consumption
- Small size only 42 x 27 x 17 mm
- Weight 25 - 34g
- Usable with solar power, PSU or batteries.
- Operating Temp -20 to 100 deg C
- IP Rating IP41
- Noise Levels <15dB
- Wide range of chemical resistance
- Head can be realigned to one of 4 positions for easy inlet and outlet tube connection

### **Typical Applications**

- Medical devices
- Analysis Systems
- Gas Detection and Monitoring
- Cooling Systems
- Precision Flow
- Battery and solar operated systems



RS	MPN	Input (V)	Power (W)	Flow (ml/min)	Pressure (psi)
8170712	D220BL-SN	6.0	0.7	450.0	10.0
		6.0	0.7	-380.0	-8.0
8170716	D250BL-SN	6.0	0.7	620.0	12.0
		6.0	0.7	-420.0	-8.0
8170725	D250S-L-SE	4.5	0.4	580.0	11.0
		4.5	0.4	-360.0	-8.0
8170728	D250BL-L-SE	6.0	0.7	620.0	12.0
		6.0	0.7	-420.0	-8.0

