

# s. 93 downstream exhaust

full port 1/4"-2"  
hot forged brass ball valves



Featuring patented tamper-proof lockable handle that has no equal in the market.

s.93 range exhausts automatically and continuously downstream air pressure as soon as turned in the closed position.

Valve is lockable in the closed position only, according to Part. 1910.147 safety OSHA (USA) requirements allowing safe maintenance of the air-supplied equipment; when valve is open, one simple 90° turn of the handle shuts flow immediately.



**We care for those you care for.**

## Quality

- No metal-to-metal moving parts
- Handle clearly shows ball position
- Silicone-free lubricant on all seals
- Chrome plated brass ball for longer life
- Travel stops on body to avoid stresses at stem

## Body

- Hot forged sand blasted, nickel plated brass body and cap sealed with Loctite or equivalent thread sealant
- The valve body includes a tapped downstream depressurization venting outlet to direct exhaust air and assemble mufflers for noise control
- Finest brass according to EN 12165 and EN 12164 (formerly DIN 17660 and UNI 5705-65) specifications

## Stem

- Blowout-proof nickel plated brass stem
- Pure PTFE adjustable packing gland and washer for lower torque and easy maintenance

## Working Pressure

- 14 Bar Kg/cm<sup>2</sup> (200 PSI)
- non-shock cold working pressure

## Flow

- Full port to DIN 3357 for maximum flow

## Thread

- EN 10226-1, ISO 228 parallel female by female threads

## Handle

- Geomet® carbon steel lockable handle patent n. 7074-B/90 with thick PVC dip coating. Handle coating offers both thermal and electrical protection
- Handle removable with valve in service

## Seals

- Glass filled pure PTFE self-lubricating seats with flexible-lip design

## Operating Temperature

- -10°C (+15°F) / +100°C (+210°F) Warning: freezing of the fluid in the installation may severely damage the valve



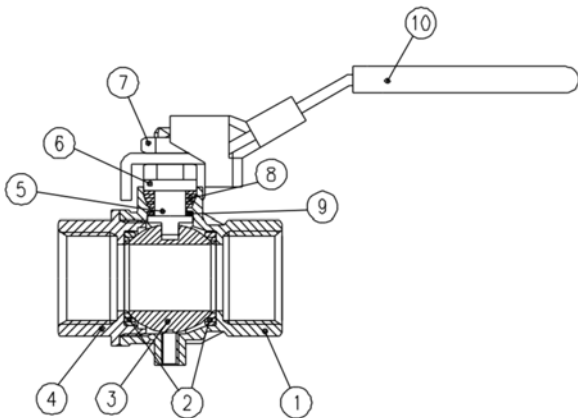
## Approved By:



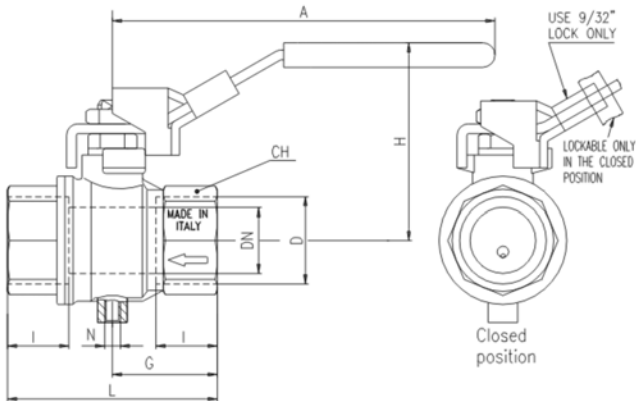
NOTE: Approvals apply to specific configurations only

# s. 93 downstream exhaust

full port 1/4"-2"  
hot forged brass ball valves



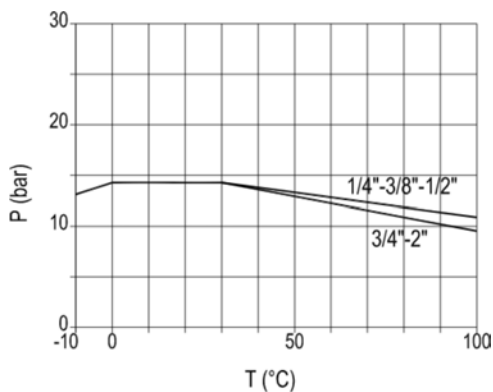
PART DESCRIPTION	Q.TY	MATERIAL
1 Nickel plated body	1	CW617N
2 Seat	2	PTFE glass filled 5-15%
3 Chrome plated ball	1	CW617N
4 Nickel plated end cap	1	CW617N
5 Nickel plated stem packing gland design	1	CW617N
6 Nickel plated gland nut	1	CW617N
7 Geomet® nut	1	CB4FF
8 Packing gland seal	1	PTFE
9 Washer	1	PTFE carbon filled 25%
10 Light blue PVC coated Geomet® steel lockable handle	1	DD11



Code	S93B00	S93C00	S93D00	S93E00	S93F00	S93G00	S93H00	S93I00
D (inch)	1/4	3/8	1/2	3/4	1	1 1/4	1 1/2	2
DN (mm)	8	10	15	20	25	32	40	50
I (mm)	12	12	15.5	17	21	23	23	26.5
L (mm)	45	45	59	64	81	93	102	121
G (mm)	22.5	22.5	29.5	32	40.5	46.5	51	60.5
A (mm)	96	96	96	117	117	156.5	156.5	156.5
H (mm)	48.5	48.5	51	60	64	80	86	93
CH (mm)	20	20	25	31	40	49	54	68.5
N	M5			G 1/4"				

DN shows the nominal flow diameter. Actual flow diameter complies with full port DIN 3357 part 4.

Pressure - Temperature Chart



Pressure Drop Chart

