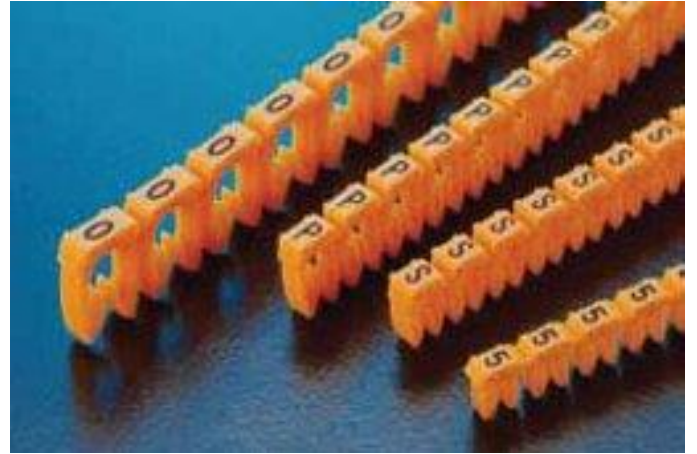




Professionally approved products.

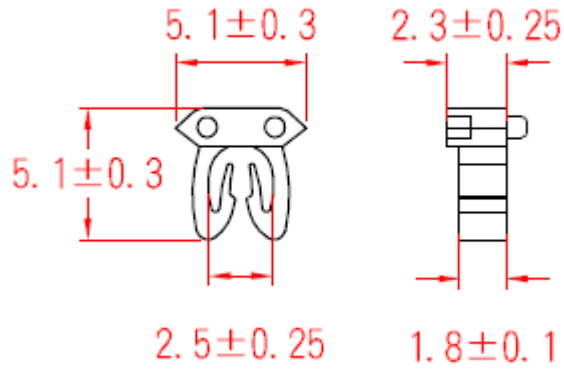
Product Datasheet

Cable Marker

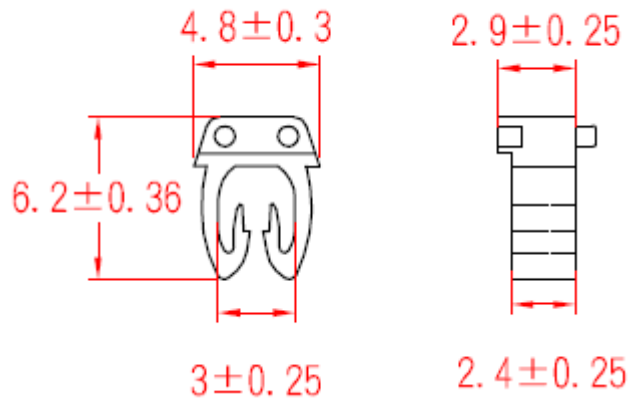


Material: UL approved Nylon66, 94V-2

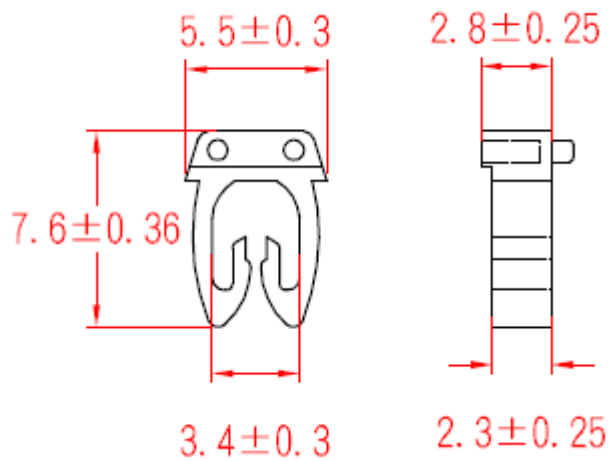
Colour : Yellow



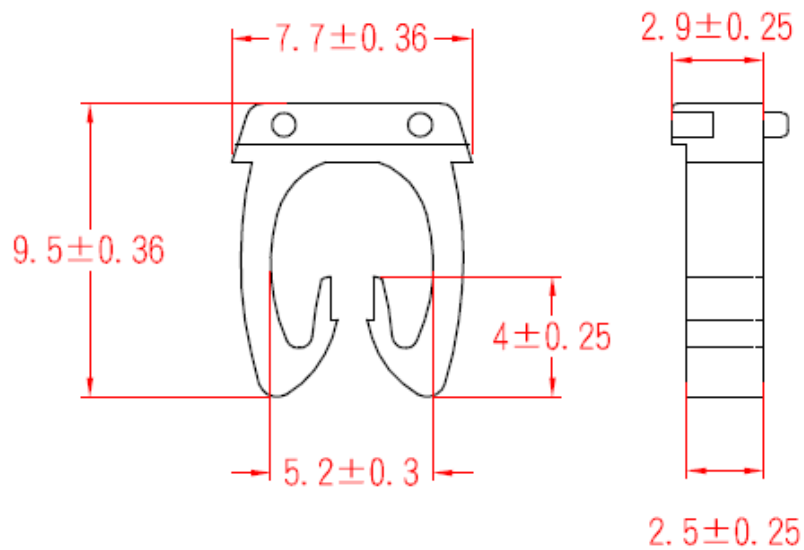
8121231 / 240 / 243



8121203 / 212 / 215



8121219 221 228



8121225 / 234 / 237

RS PART NUMBER	DESCRIPTION	Packsize
8121231	Clip on Nylon 66 Cable Marker 0-9@25PCS Mixed	250
8121240	Clip on Nylon 66 Cable Marker A-M@25PCS Mixed	325
8121243	Clip on Nylon 66 Cable Marker N-Z@25PCS Mixed	325
8121203	Clip on Nylon 66 Cable Marker 0-9@15PCS Mixed	150
8121212	Clip on Nylon 66 Cable Marker A-M@15PCS Mixed	195
8121215	Clip on Nylon 66 Cable Marker N-Z@15PCS Mixed	195
8121219	Clip on Nylon 66 Cable Marker 0-9@15PCS Mixed	150
8121221	Clip on Nylon 66 Cable Marker A-M@15PCS Mixed	195
8121228	Clip on Nylon 66 Cable Marker N-Z@15PCS Mixed	195
8121225	Clip on Nylon 66 Cable Marker 0-9@10PCS Mixed	100
8121234	Clip on Nylon 66 Cable Marker A-M@10PCS Mixed	130
8121237	Clip on Nylon 66 Cable Marker N-Z@10PCS Mixed	130