



**Professionally approved products.**

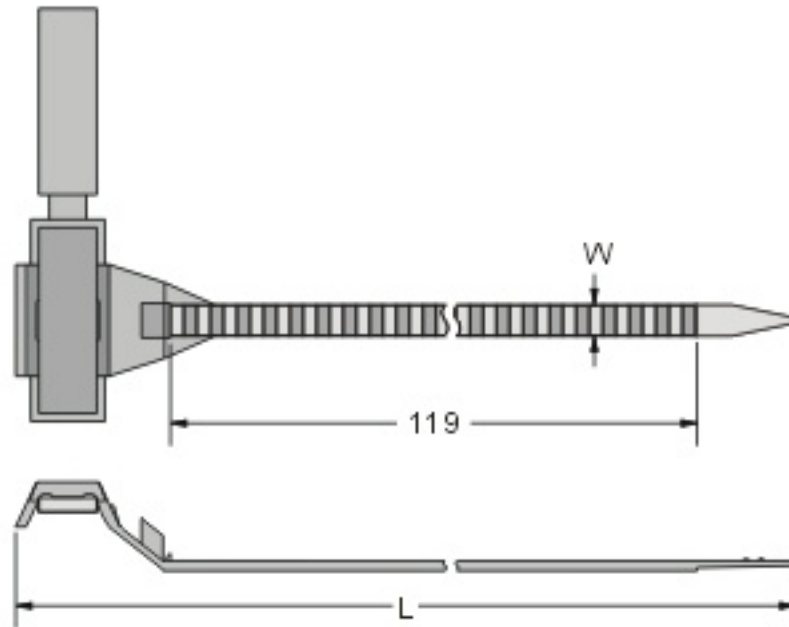
Product Datasheet

## **Marker Tie**



**Material: PE**

**Colour : Natural**



RS Article No	SIZE	Max. Bundle	Marking Pad	Packsize	COLOR
8111791	160x5.0	25	9.2x30	100	Natural