

MINIATURE MICRO SWITCHES

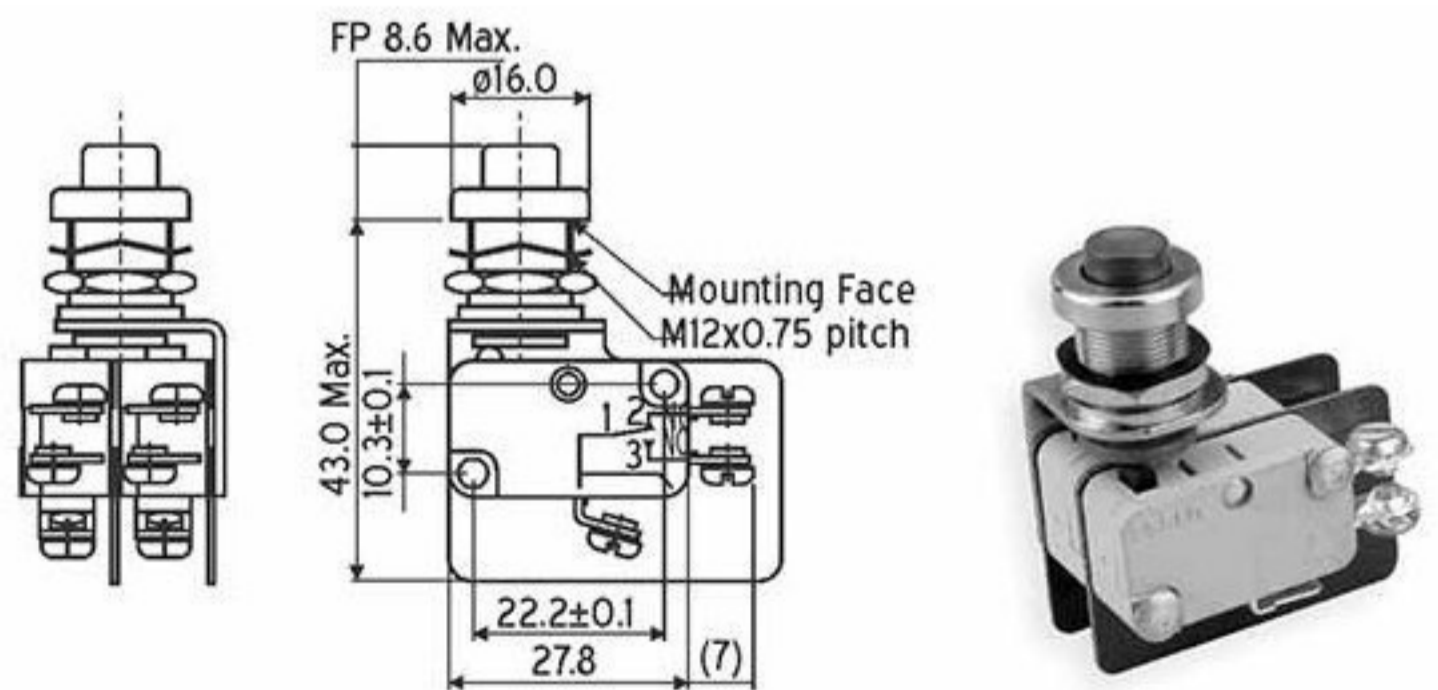
2MV25 - SERIES

- Characteristics
- Versatile switch suitable for many heavy duty applications.
 - Double Pole change over.
 - Available with solder, quick connect and screw terminals.
 - Long mechanical and electrical life.
 - Fine silver contacts.
 - Temperature range upto 85°C.
 - Positive snap action.
 - Push buttons are available in Red, Green, Yellow, Blue, Black & White colours. State colour while ordering.
 - Conform to IEC 1058-1 standard.

ELECTRICAL RATINGS

LOAD	RATINGS (for micro switch with 400/200 gms. actuating force)
AC	16 Amp at 250V 5 Amp at 440V
DC (resistive)	0.6 Amp at 110V 0.3 Amp at 220V
DC (inductive)	0.1 Amp at 110V 0.05 Amp at 220V

Ordering code	2MV25()4 P1/*
Circuit facilities	Double pole changeover
Actuating force	800 gms. (max.)
Release force	160 gms. (min.)
Centre distance between two adjacent units	29.0 mm. (min.)
Cut-out size	Ø12.5 mm.



Note :

1. Add following suffix at * in the ordering code of micro switch for knob colour.

Red = R	Blue = BL
Green = G	Black = B
Yellow = Y	White = W



Approval

