

**Professionally approved products.**

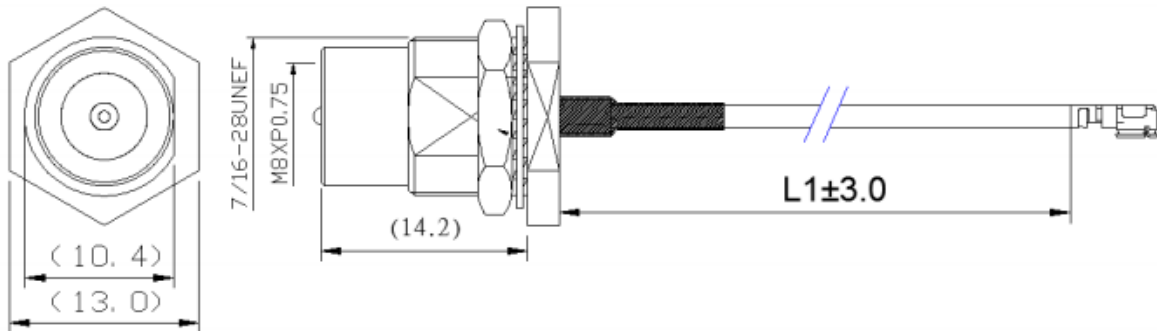
## Datasheet

### UFL-FME RF coax cable assembly

RS Stock number 794-2945



### Dimensions: (mm)



### Specification

1. FME B/H PLUG CRIMP TYPE FOR  $\varnothing 1.37\text{mm}$  CABLE NUT x 1, WASHER x 1
2. U.FL-LP-088 Halogen Free For  $\varnothing 1.37\text{mm}$  Cable
3. U.FL-088 CONTACT For  $\varnothing 1.37\text{mm}$  Cable
4. 1.37mm CABLE TIN PLATED COLOR: BLACK
5. HEAT SHRINK TUBE F32  $\varnothing 2.5\text{mm}$  L=15.0mm COLOR: BLACK.

### ELECTRICAL PERFORMANCE:

1. IMPEDANCE: 50 OHMS
2. FREQUENCY RANGE: DC~3GHz
3. WORKING VOLTAGE: 250Vrms MAXIMUM
4. DIELECTRIC WITHSTANDING VOLTAGE: 750Vrms min.