

**Professionally approved products.  
Datasheet**

**SPST Rocker Switch**

RS Stock number 793-2550

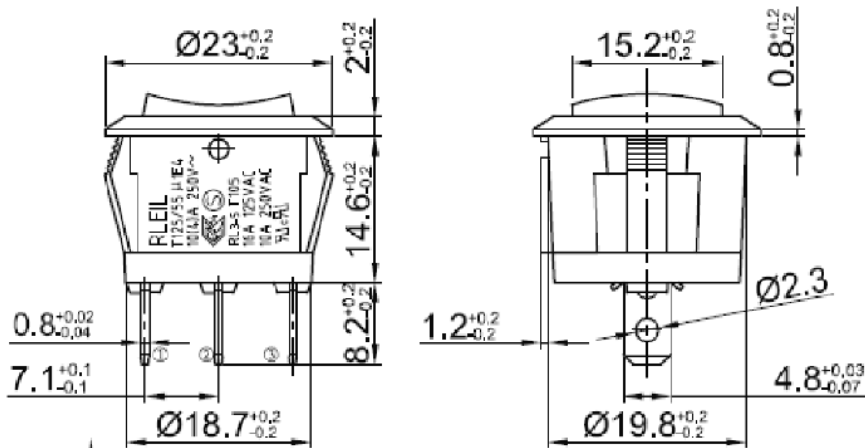


**Specifications:**

Rating:	10(4)A/250VAC T125/55 1E4 12(8)A/250VAC T85/55 1E4 16A 125VAC/10A 250VAC 250VAC T105 UL C-UL
Circuit:	(ON) – OFF – (ON) SPDT 3P
Colour:	All Black Rocker
Switching Action:	Centre Off Momentary
Contact Diameter:	P5 (2.3mm)
Contact Resistance:	30m Ohms Max
Insulation Resistance:	500VDC 100M Ohms Min
Electrical Life;	10,000 cycles
Operation force:	300 – 600gf
Operating Temperature Range:	-25 - 125°C
Housing Material Nylon:	#66 UL 94V-2
Rocker Material Nylon:	#66 UL 94V-2
Terminal Material:	Copper Alloy SN or AG plated

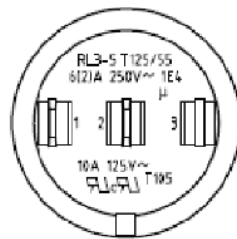
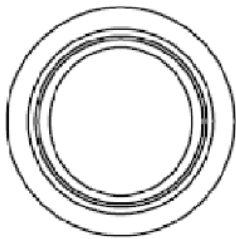
# Professionally approved products. Datasheet

## Dimensions - mm



A向 ↑

A向



### PANEL HOLE SIZE

Panel thickness	X
0.75-1.25	20.2
1.25-2.0	20.4
2.0-3.0	20.6

