

Professionally approved products.

Datasheet

Stainless Steel Manual Ball Valve

RS Stock number [764-4234](#)



Features:

Investment casting

Blow-out proof stem

Locking device

ISO 5211 Mounting pad

TA-Luft approved (option)

Length conform to DIN 3202/4-M3-2013SM3 (option)

Thread type: ASME B1.20.1 (NPT) DIN2999 and BS21 ISO7/1 and EN10226

3-piece design allows in-situ maintenance and servicing

Lockable Full Bore valves with thermally insulating lever sleeve

Incorporates ISO-5211 mounting flange for suitable actuator

Blow Out Proof Stem with Adjustable Stem packing

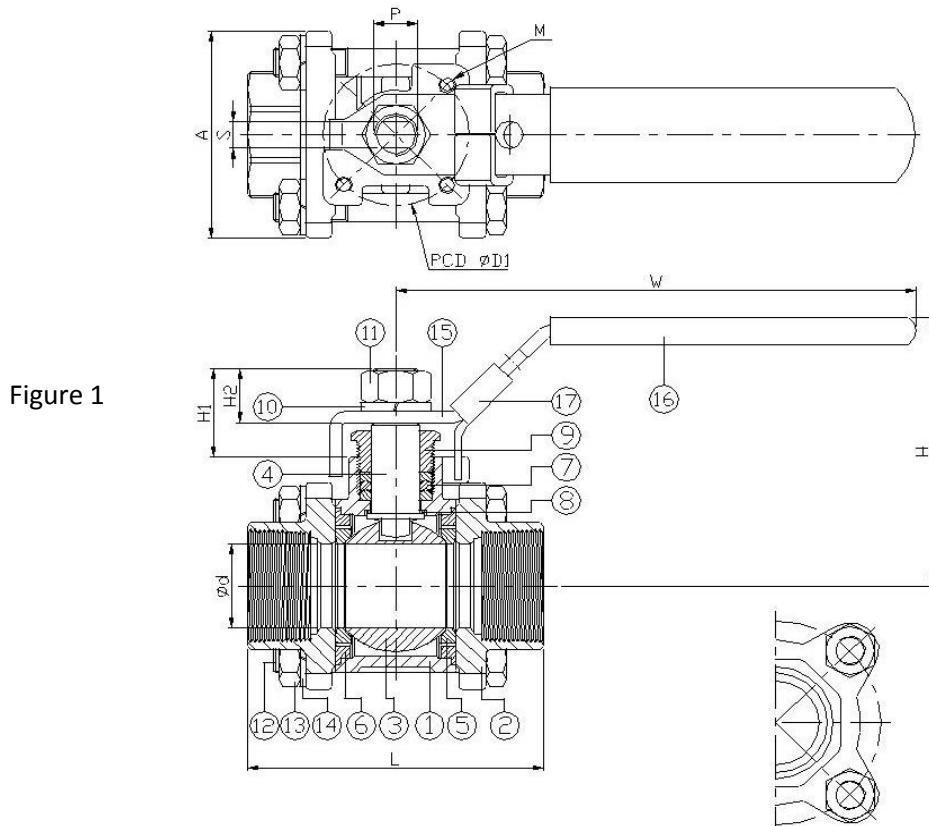
Seal, Thrust Washer, Stem Pack Material - P.T.F.E

Seat Material - P.T.F.E (15% Reinforced Glassfibre)

Professionally approved products.

Specifications:

Attachment Type: Threaded
 Ball Material: Stainless Steel
 Body Material: Stainless Steel
 Handle Colour: Blue
 Handle Material: Stainless Steel
 Maximum Operating Temperature: 230 °C
 Maximum Working Pressure: 1000 psi
 Safe for Use With: Gas, Oil and Water
 Thread Size: ½ in
 Threaded Connection: ½ in



Professionally approved products.

ITEM	PARTS	MATERIAL
1	BODY	ASTM A351-CF8M
2	CAP	ASTM A351-CF8M
3	BALL	ASTM A351-CF8M
4	STEM	ASTM A276-316
5	SEAT	PTFE / RTFE
6	SEAL	PTFE
7	PACKING	PTFE
8	THRUST WASHER	PTFE
9	GLAND NUT	AISI 304
10	SPRING WASHER	AISI 304
11	STEM NUT	AISI 304
12	BOLT	AISI 304
13	NUT	AISI 304
14	SPRING WASHER	AISI 304
15	HANDLE	STAINLESS STEEL
16	HANDLE SLEEVE	PVC
17	LOCKING DEVICE	STAINLESS STEEL

Measurements:

DN	d	L	H	H1	H2	W	S	A	D1	M
15	15	65	62	19.4	13.5	100	5	46.7	36	M5

P	ISO 5211	Torque (N-M)	Weight (kg)
3/8" – 24 UNF	F03	7.5	0.5

The measurements in the above tables are given in mm unless otherwise stated. The data corresponds to the lettering given in Figure 1.