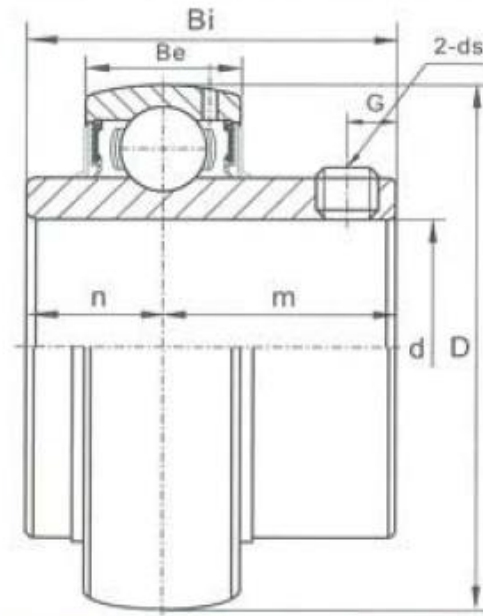


Spherical Bearing Insert – Metric



RS Article no.	Bearing unit No.	Shaft Dia.	Dimension (mm)							Basic Dynamic Load Rating (kgf)	Basic Static Load Rating (kgf)	Weight (kg)
		d	D	Bi	Be	n	m	G	ds			
		(mm)										
7508703	UC204	20	47	31	17	12.7	18.3	4.5	M6x1.0	1000	630	0.16
7508712	UC205	25	52	34	17	14.3	19.7	5.5	M6x1.0	1100	710	0.20
7508725	UC206	30	62	38.1	19	15.9	22.2	6	M6x1.0	1520	1020	0.32
7508731	UC207	35	72	42.9	20	17.5	25.4	6.5	M8x1.0	2010	1390	0.46
7508747	UC208	40	80	49.2	21	19.0	30.2	8	M8x1.0	2560	1810	0.62
7508744	UC209	45	85	49.2	22	19.0	30.2	8	M8x1.0	2560	1800	0.68
7508753	UC210	50	90	51.6	24	19.0	32.6	10	M10x1.0	2750	2020	0.76
7508756	UC211	55	100	55.6	25	22.2	33.4	10	M10x1.0	3400	2550	1.01
7508769	UC212	60	110	65.1	27	25.4	39.7	10	M10x1.0	4100	3150	1.45