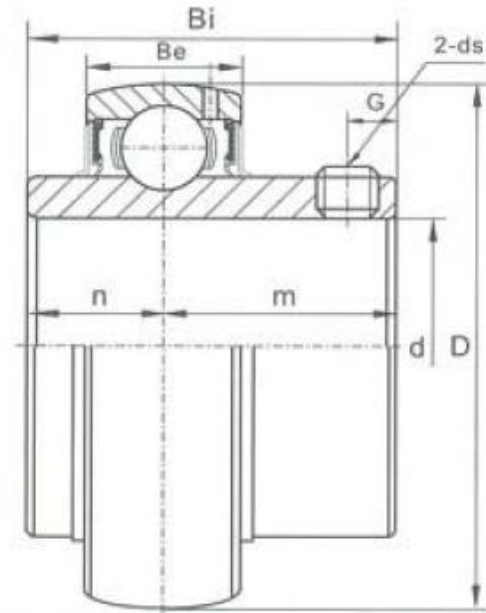


# Spherical Bearing Insert – Imperial (Stainless Steel)



RS Article no.	Bearing unit No.	Shaft Dia.	Dimension (in)							Basic Dynamic Load Rating (kgf)	Basic Static Load Rating (kgf)	Weight (kg)
		d	D	Bi	Be	n	m	G	ds			
		(in.)										
7508719	UC205-16SS	1	2.0472	1.3386	0.6693	0.5630	0.7760	0.2165	1/4 -28UNF	1100	710	0.20