



Stainless Steel 2-Piece Ball Valve with Pneumatic Actuator – Double Acting

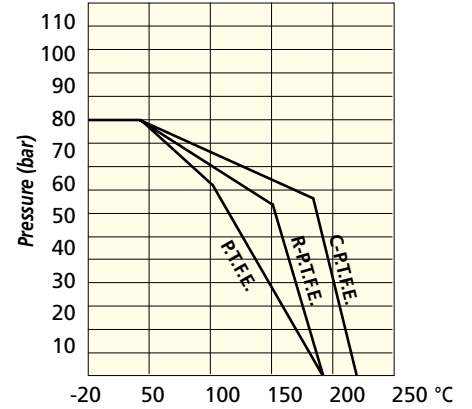
1,000 PSI Rated



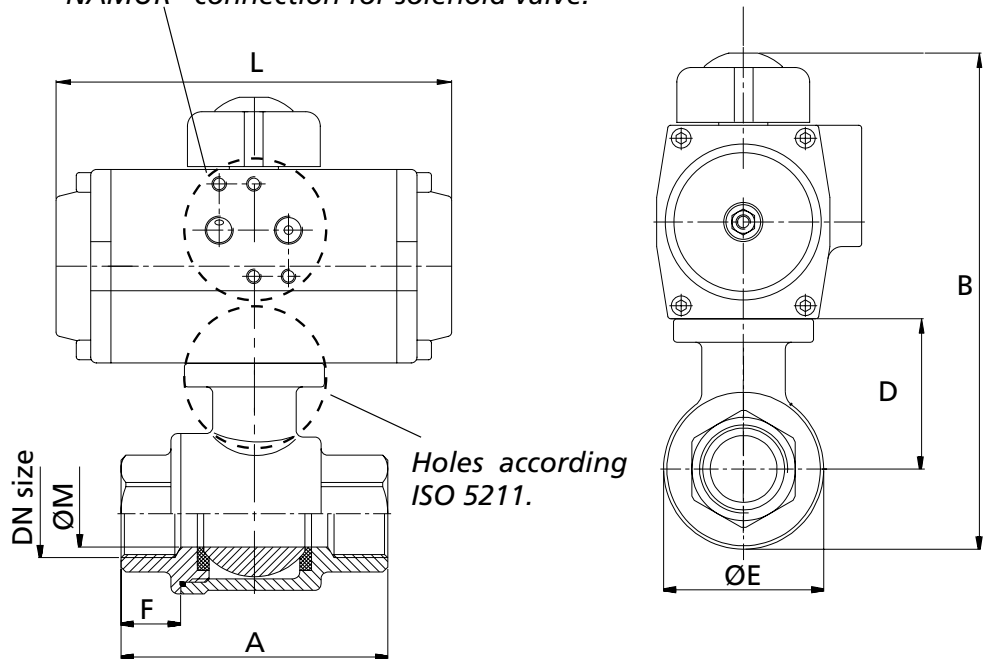
Materials

- Body = CF8M - 316 S/S
- Ball = 316 S/S
- Stem Seal = PTFE
- Ball Seal = PTFE

Pressure - Temperature Diagram



"NAMUR" connection for solenoid valve.



Overall Dimensions - Double Acting

| RS Part No. | Dia mm | Size ins. | Model | A | B | D | ØE | F | L | ØM |
|-------------|--------|-----------|----------|------|-------|------|------|------|-----|------|
| | 8 | 1/4" | AP0 - DA | 65 | 122.5 | 36 | 32.4 | 9.6 | 110 | 11 |
| | 10 | 3/8" | AP0 - DA | 65 | 122.5 | 36 | 32.4 | 9.6 | 110 | 12.7 |
| | 15 | 1/2" | AP0 - DA | 65 | 122.5 | 38 | 34.6 | 12 | 110 | 15 |
| | 20 | 3/4" | AP0 - DA | 74.5 | 135.7 | 41.7 | 43.9 | 19 | 110 | 20 |
| | 25 | 1" | AP1 - DA | 88.5 | 161.6 | 44.4 | 50.3 | 19.5 | 137 | 25 |
| | 32 | 1 1/4" | AP2 - DA | 102 | 193.3 | 54 | 62.6 | 20.3 | 150 | 32 |
| | 40 | 1 1/2" | AP2 - DA | 110 | 204.6 | 59.5 | 74.1 | 24.5 | 150 | 40 |
| | 50 | 2" | AP3 - DA | 125 | 236.6 | 67 | 89.1 | 29 | 204 | 50 |