



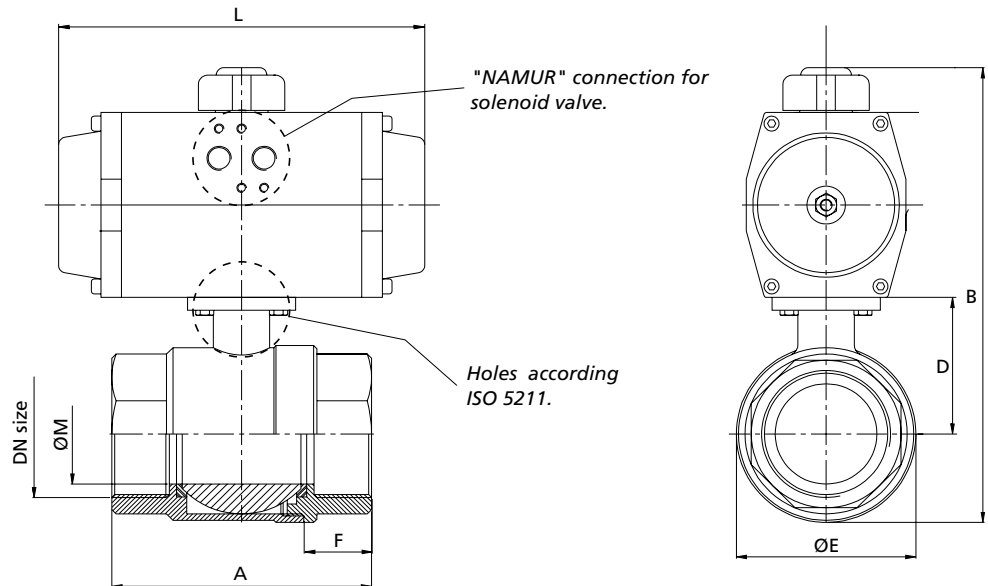
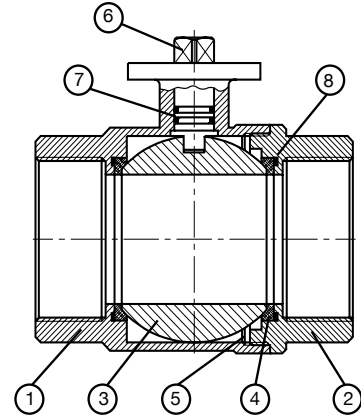
Brass Ball Valve with Pneumatic Actuator – Spring Return

40 BAR Rated



Materials

	Description	Material
1	Body	Hot pressed brass
2	End cap	Hot pressed brass
3	Ball	Brass chrome plated
4	Seat ring	P.T.F.E.
5	Body seal	P.T.F.E.
6	Stem	Brass
7	Stem ring	Viton*
8	O-ring	NBR 70



Overall Dimensions - Spring Return

RS Part No.	Dia mm	Size ins.	Model	A	B	D	ØE	F	L	ØM
8	1/4"	AP1 - SR	65	137	29	32	17	137	11.5	
10	3/8"	AP1 - SR	65	137	29	32	17	137	15	
15	1/2"	AP1 - SR	65	137	29	32	17	137	15	
20	3/4"	AP1 - SR	75	144	32	40	19	137	20	
25	1"	AP1 - SR	86	167	36	47	21	137	25	
32	1 1/4"	AP2 - SR	95	177	41	57	22	190	32	
40	1 1/2"	AP3 - SR	101	216	57	69	22	204	38	
50	2"	AP3 - SR	120	230	64	82	25	204	47	