



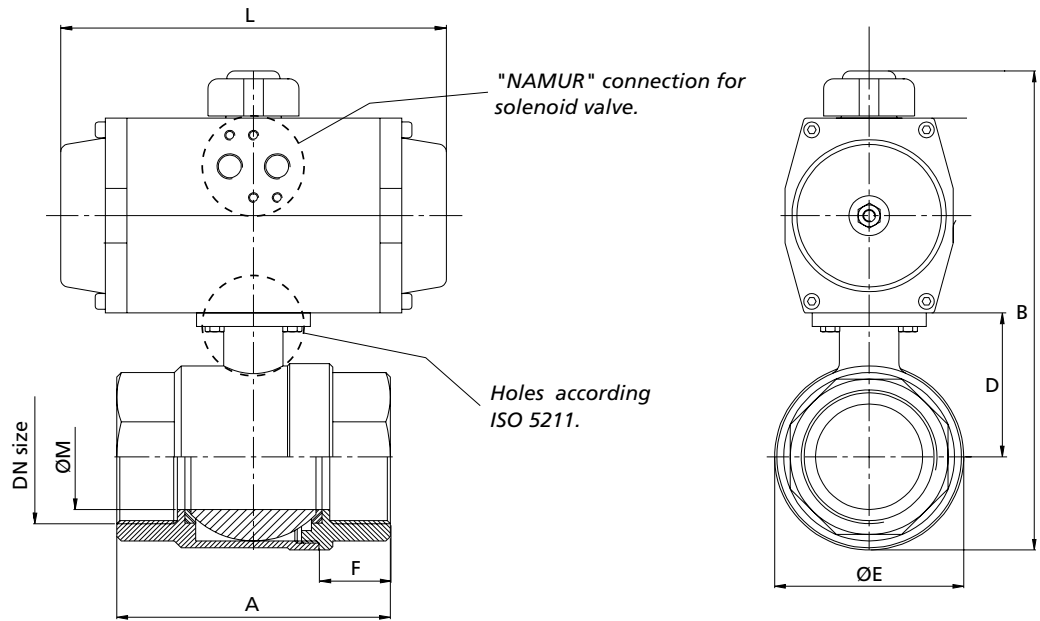
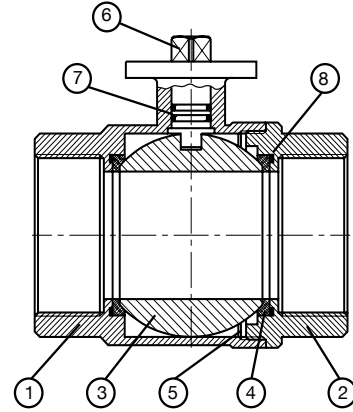
# Brass Ball Valve with Pneumatic Actuator – Double Acting

**40 BAR Rated**



## Materials

Description	Material
1 Body	Hot pressed brass
2 End cap	Hot pressed brass
3 Ball	Brass chrome plated
4 Seat ring	P.T.F.E.
5 Body seal	P.T.F.E.
6 Stem	Brass
7 Stem ring	Viton*
8 O-ring	NBR 70



## Overall Dimensions - Double Acting

RS Part No.	Dia mm	Size ins.	Model	A	B	D	ØE	F	L	ØM
8	1/4"	AP0 - DA	65	115	29	32	17	110	11.5	
10	3/8"	AP0 - DA	65	115	29	32	17	110	15	
15	1/2"	AP0 - DA	65	137	29	32	17	110	15	
20	3/4"	AP1 - DA	75	144	32	40	19	137	20	
25	1"	AP1 - DA	86	151.5	36	47	21	137	25	
32	1 1/4"	AP1 - DA	95	161.5	41	57	22	137	32	
40	1 1/2"	AP2 - DA	101	199.5	57	69	22	150	38	
50	2"	AP2 - DA	120	213	64	82	25	150	47	