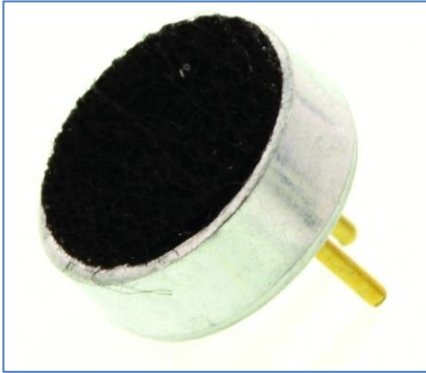


Professionally approved products.

## Datasheet

# Omni-Directional PCB Mount 6mm Condenser Microphone Element

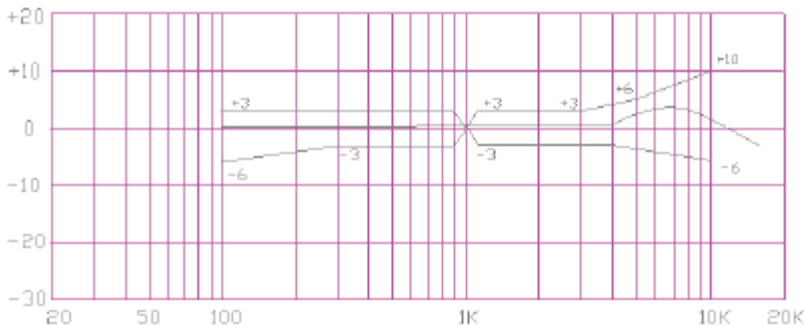
RS Stock number [724-3125](#)



### Specification:

Directivity	Omni directional
Standard operating voltage	2V
Maximum operating voltage	10V
Maximum current consumption	0.5mA
Output impedance (F=1KHz 1Pa)	< 2.2KΩ
Frequency	100~16000Hz
Sensitivity (@F=1KHz, 0dB=1V/Pa)	-40±3dB
Sensitivity reduction (@1.5V~3.0V)	-3dB
Signal to noise ratio (F=1KHz 1Pa) A weighted	>60dB
Electrets type	Foil type
Material	Al
Storage temperature	-20°C~+60°C
Operating temperature	-20°C~+60°C

### Typical Frequency Response Curve



## Professionally approved products.

Dimensions:

