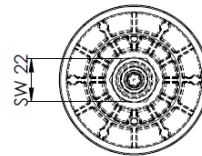
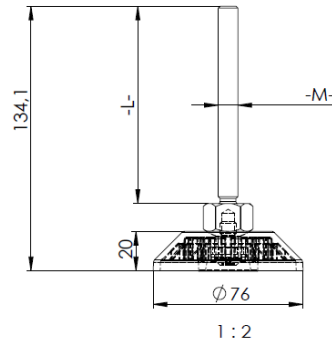




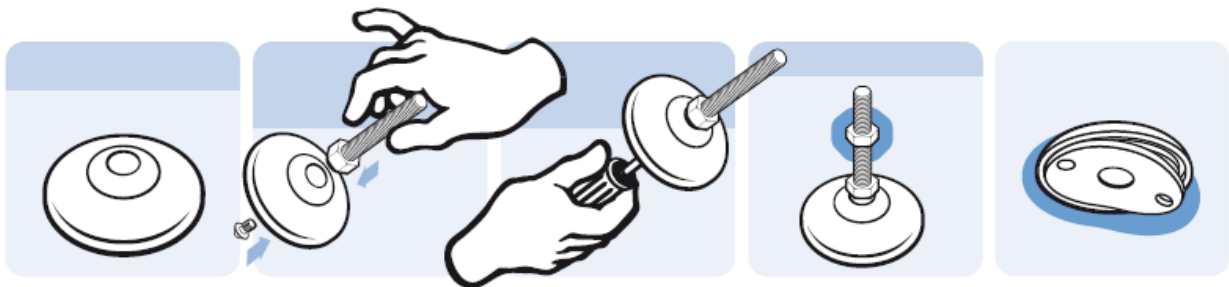
Trapezium Pivoting Feet

These feet are designed to provide a stable position on uneven floors.



Dimensions

RS Article no.	L (mm)	M
7675869	66	M12
7675862	125	M12
7675866	66	M16
7675875	125	M16



TRAPEZIUM FEET - For Profile 40, groove size 8 system ONLY

RS Article no.	Product Description	Compatible with groove size	Product system	Structural element type
7675869	Trapezium pivot foot, base 80, M12x66	8	40	Foot
7675862	Trapezium pivot foot, base 80, M12x125	8	40	Foot
7675866	Trapezium pivot foot, base 80, M16x66	8	40	Foot
7675875	Trapezium pivot foot, base 80, M16x125	8	40	Foot