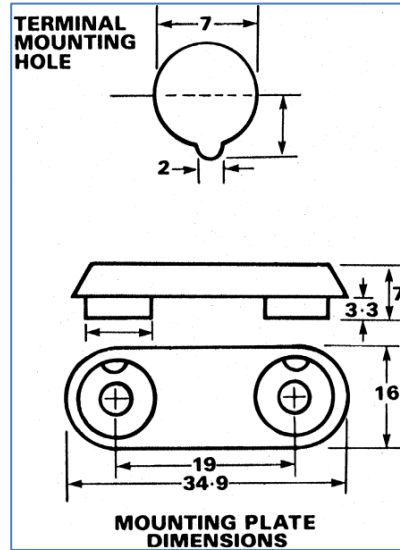


Professionally approved products.

# Datasheet

## Small Red 4mm Panel Terminal

RS Stock number [677-8746](#)



### Description:

Terminal Post – Small (4mm)

#### Terminal Post

- Accepts 4mm unshrouded plugs in the top or in the cross hole at the side
- Castellated tops to give additional torque when wires are clamped
- Terminal height above panel 27mm (closed); 33mm (open)

#### Terminal Post bung

- Safety bungs are available to fit into the top part of the terminals
- The bungs fit flush to stop any insertion of either a probe or a plug to the conductive socket. See stock no. [261-5064](#)

### Specifications:

Body Material Glass:	Fibre Reinforced Nylon, PP
Colour:	Red
Current Rating:	30A
Height Above Panel:	33mm
Hole Diameter:	4mm
Insulated:	Yes
Maximum Panel Thickness:	7mm
Thread Size:	2BA