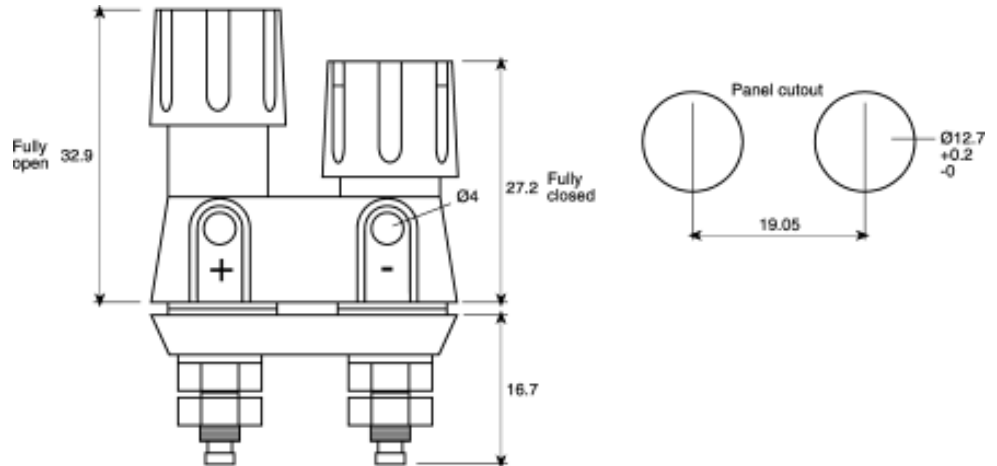


Professionally approved products.

Datasheet

Panel Terminal Post Assembly, 4mm

RS Stock number [677-8759](#)



Description:

4mm Black/Red Terminals

Specifications:

Body Material:	Glass Fibre Reinforced Nylon, PP
Colour:	Black, Red
Current Rating:	30A
Height Above Panel:	30mm
Hole Diameter:	4mm
Insulated:	Yes
Thread Size:	2BA