

Professionally approved products.

Datasheet

Mounting Disc Mounting Kits For Use With Toroidal Transformer

RS Stock number [671-9208](#)



Specifications:

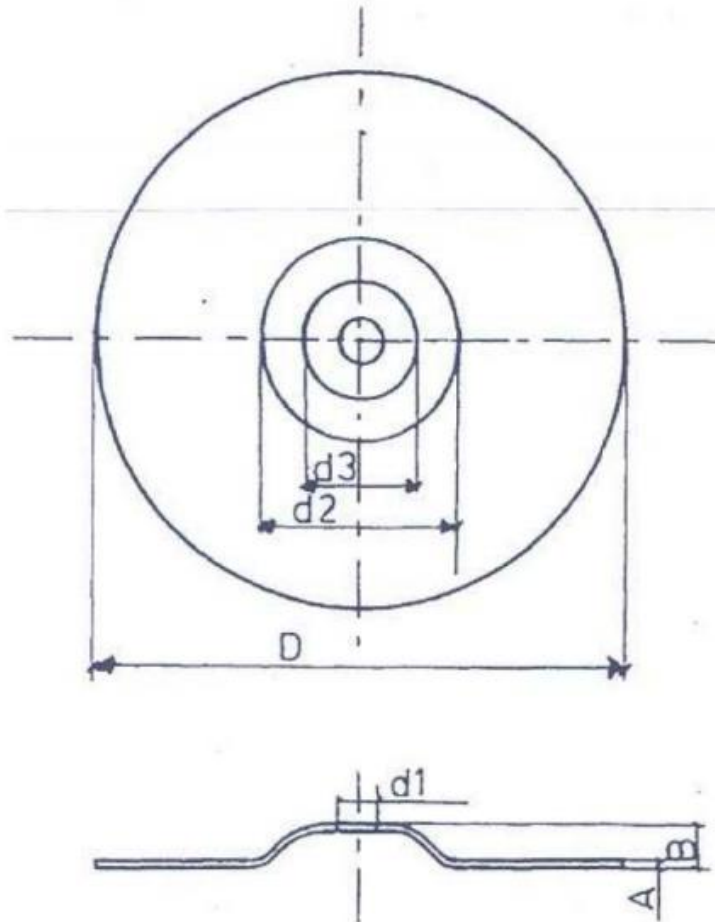
Toroidal transformers mounting disc.

Large metal washer with recessed centre to accept head of mounting bolt.

Material: MS-CRCA (mild steel, cold rolled cold annealing)

Plating: Zinc plating – Blue passivation. (appearance is white colour)

Professionally approved products. Datasheet



Dimensions (mm):

RS Part No.	Alternate Reference	Description	D ± 0.2	d1 ± 0.2	d2 ± 0.2	d3 ± 0.2	A ± 0.1	B ± 0.1
671-9205	107000	Metal Disc 50x6x0.7	50	6.5	19.5	14.0	0.7	5.0
671-9208	107002	Metal Disc 70x6x1.2	70	6.5	31.0	15.0	1.2	5.0
671-9202	107003	Metal Disc 90x6x1.2	90	6.5	38.0	19.5	1.2	7.0