

**Professionally approved products.**

## **Datasheet**

# **Mounting Disc Mounting Kits For Use With Toroidal Transformer**

RS Stock number [671-9205](#)



### **Specifications:**

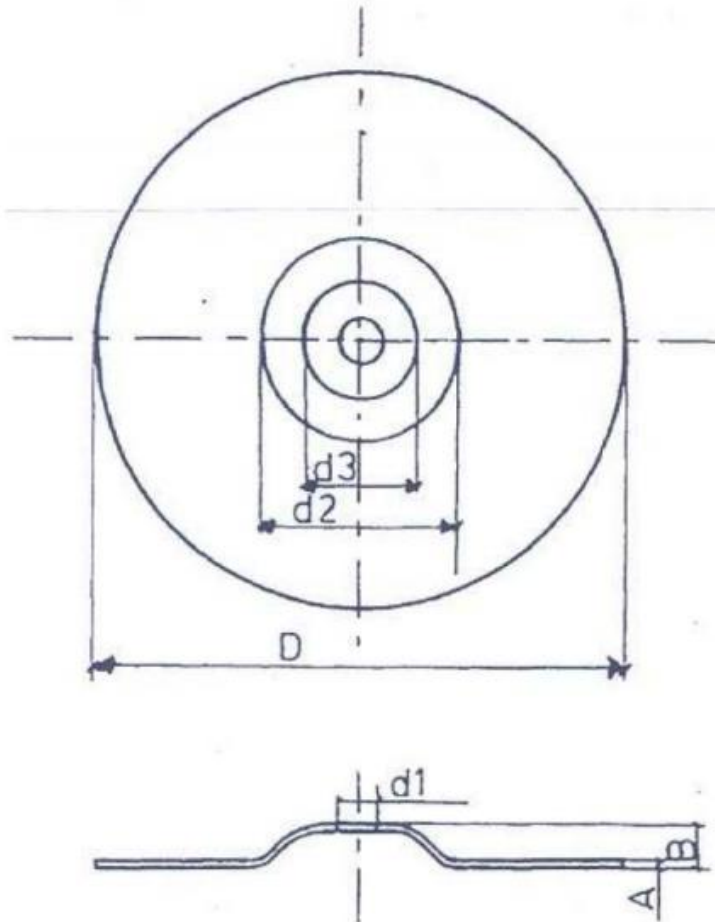
Torodial transformers mounting disc.

Large metal washer with recessed centre to accept head of mounting bolt.

Material: MS-CRCA (mild steel, cold rolled cold annealing)

Plating: Zinc plating – Blue passivation. (appearance is white colour)

## Professionally approved products. Datasheet



### Dimensions (mm):

RS Part No.	Alternate Reference	Description	D $\pm 0.2$	d1 $\pm 0.2$	d2 $\pm 0.2$	d3 $\pm 0.2$	A $\pm 0.1$	B $\pm 0.1$
671-9205	107000	Metal Disc 50x6x0.7	50	6.5	19.5	14.0	0.7	5.0
671-9208	107002	Metal Disc 70x6x1.2	70	6.5	31.0	15.0	1.2	5.0
671-9202	107003	Metal Disc 90x6x1.2	90	6.5	38.0	19.5	1.2	7.0