

Professionally approved products.

Datasheet

2.77mm Pitch 37 Way IDC D-sub Connector, Socket, Metal Shell

RS Stock number [642-4929](#)



SPECIFICATION

MATERIAL

Insulator: Polyester Resin And Glass Fiber
Reinforced (UL94v-0)

Contacts: Phosphor Bronze

CONTACT FINISH: 30u" Selective Gold Over Nickel

PART NO.

<u>222</u>	<u>A</u>	<u>E</u>	<u>XX</u>	<u>F</u>	<u>SM</u>	<u>P</u>	<u>4</u>	<u>3</u>	<u>Y</u>
1	2	3	4	5	6	7	8	9	10

1.SERIES NO: 222=D-SUB

2.TYPE: A=Standard

3.GREEN OPTION

E=RoHS

4.CONTACT NUMBER:

09,15,25,37

5.CONTACT TYPE:

F=Female

6.HOSING CONSTRUCTION TYPES

SM=Metal Shell With Standard
Thru Holes

7.STRAIN RELIEF:

P=Plastic Strain Relief

8.SHELL OPTION:

4=Tin Plated Shell Without
Grounding Indents

9.CONTACT PLATING:

3=30u" Gold (Selective)

10.COLOR:

Y=Black

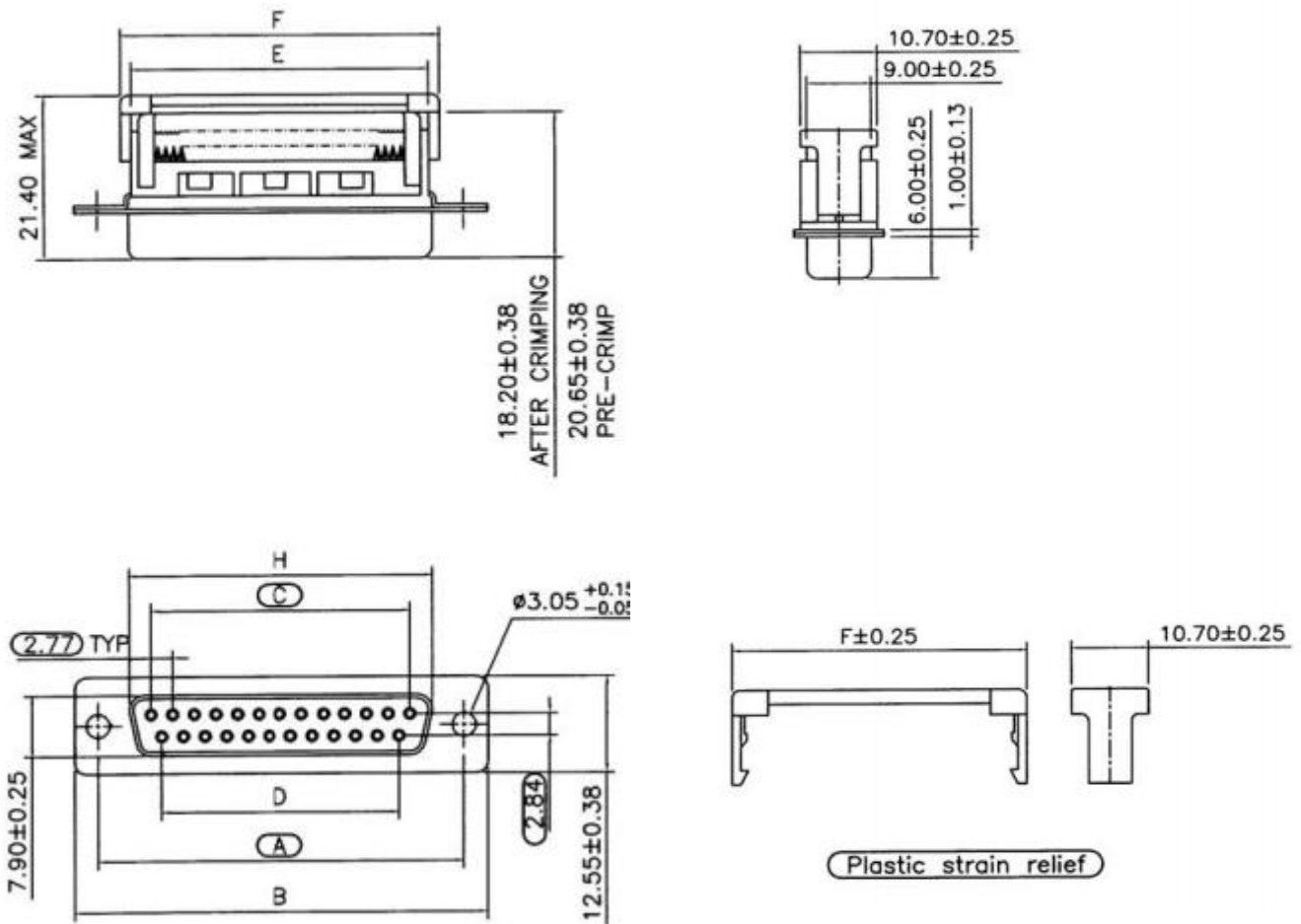
(1Pcs/Bag+Yellow Label)

(100Pcs/Bag+White Label)

Professionally approved products.

Datasheet

Drawing (mm):



Dimensions (mm):

POSITION	A ± 0.13	B ± 0.25	C ± 0.25	D ± 0.13	F ± 0.25	H ± 0.25
09	24.99	30.80	11.08	8.31	18.60	16.33
15	33.32	39.10	19.39	16.62	26.60	24.66
25	47.04	53.09	33.24	30.47	40.90	38.38
37	63.50	69.40	49.86	47.09	57.10	54.84