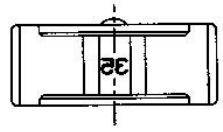
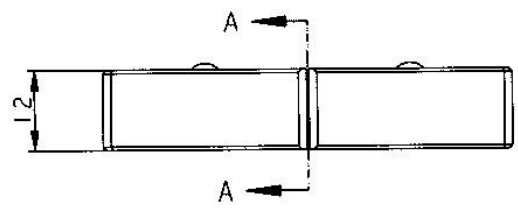
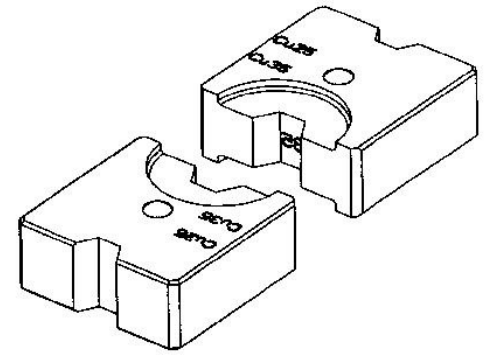
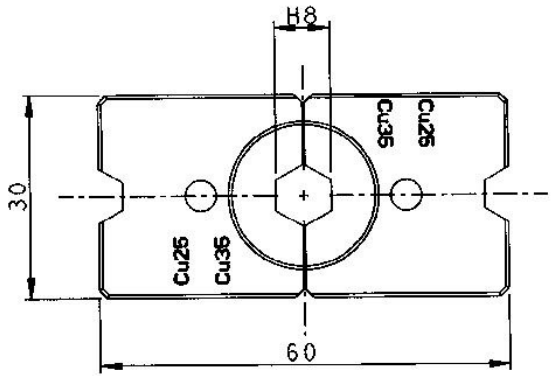
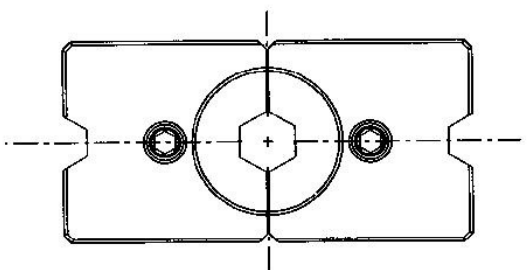


A	B	C	D	E	F	G	H
				REV	DESCRIPTION		DATE



SECTION A-A



Tolerance Unless Otherwise Specified	
0 >	mm ± ANGLE
>	mm ± 0° > REF ±
>	mm ± REF ±
>	mm ± REF ±

NAME	HEXAGONAL DIES FOR THX-185 HYDRAULIC CRIMPING TOOL				UNIT	mm	
PART NO.	DIE-THX185(H)-35	MATERIAL	SCM415	APPROVED			
NUMBER	KS-UD177-C	SCALE	SHEET	PAGE	CHECKED		
DATE	2007/01/26	1:1	1-0	10F1	DRAWN	林昌宜	