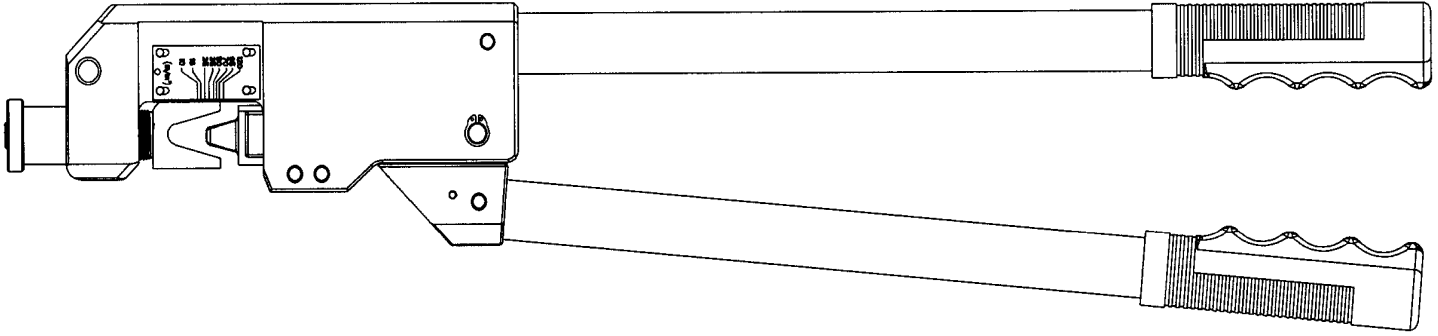
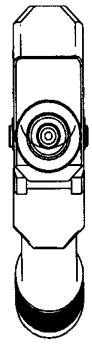
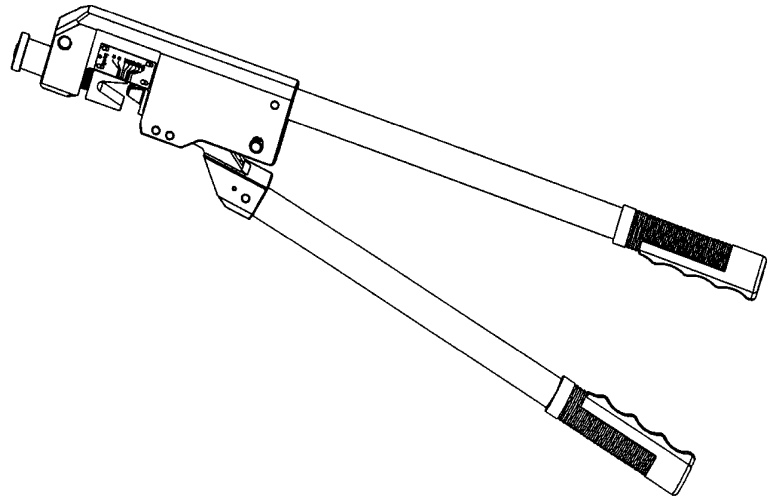


A B C D E F G H

REV	DESCRIPTION	DATE
-----	-------------	------



Tolerance Unless Otherwise Specified	
0 >	mm ± ANGLE
>	mm ± ° > ° REF ±
>	mm ± ° > ° REF ±
>	mm ± ° > ° REF ±

NAME	FOR TERMINATING CABLE LUGS			UNIT	mm	⊕	□
PART NO.	KH-150	MATERIAL	-----	APPROVED	[Signature]		
NUMBER	KS-UD134-C	SCALE	SHEET	PAGE	CHECKED	[Signature]	
DATE	2005/09/14	1:10	1-0	1-0	DRAWN	林昌宜	

1  
2  
3  
4  
5  
6