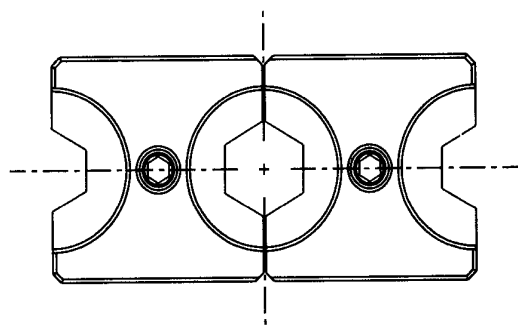


SECTION A-A



Tolerance Unless Otherwise Specified

0 >	mm ±	ANGLE
>	mm ±	0° > REF ±
>	mm ±	REF ±
>	mm ±	REF ±

NAME	HEXAGONAL DIES FOR THX-185 HYDRAULIC CRIMPING TOOL				UNIT	mm
PART NO.	DIE-THX185(H)-70	MATERIAL	SCM415	APPROVED		
NUMBER	KS-UD178-C	SCALE	SHEET	PAGE	CHECKED	
DATE	2007/01/26	1:1	1-0	10F1	DRAWN	林昌宜