

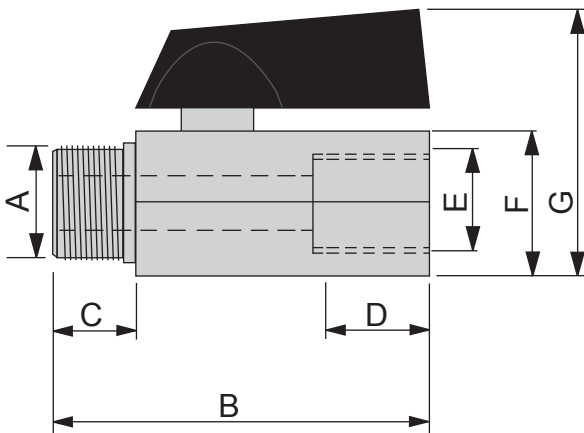
METAL BALL VALVE

Suitable for domestic water services, heating, air-conditioning plants and compressed air systems.

Min. Working Temperature: 0°C

Max. Working Temperature: 90°C

Valve body manufactured from brass with bright chrome finish.



	A	B(mm)	C(mm)	D(mm)	E(mm)	F(mm)	G(mm)
	1/8" NPT	35	9	9	1/8" NPT	20	35
	1/4" NPT	40	12	12	1/4" NPT	20	35
	3/8" NPT	40	12	12	3/8" NPT	20	35
	1/2" NPT	45	12	12	1/2" NPT	25	42

Working Pressure 15kg/cm² - bar / 220 psi