

Professionally approved products.

Datasheet

Panel Mount Continuous Buzzer

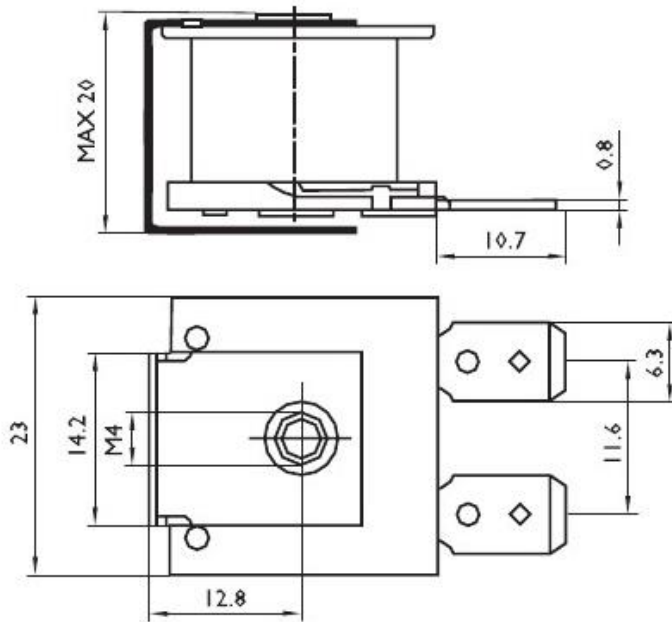
RS Stock number [617-3031](#)



Specifications:

Rated Voltage:	220V ac
Operating Voltage	160-260V ac
Rated Current:*	≤30mA
Sound Output at 10cm:*	≥80dB
Coil Resistance:	6500Ω±10%
Operating Temperature:	-20°C to +60°C
Storage Temperature:	-30°C to +70°C
Weight:	18g
Housing Material:	PBT
Tab Material:	Brass
Drive Type:	Internal
Mounting Type:	Panel Mount
Tone Type:	Continuous
Connector Size:	6.3 x 0.8mm

*Value applying at rated voltage (DC)

Dimensions:


Dimensions Unit: mm

 Tolerance: $\pm 0.5\text{mm}$