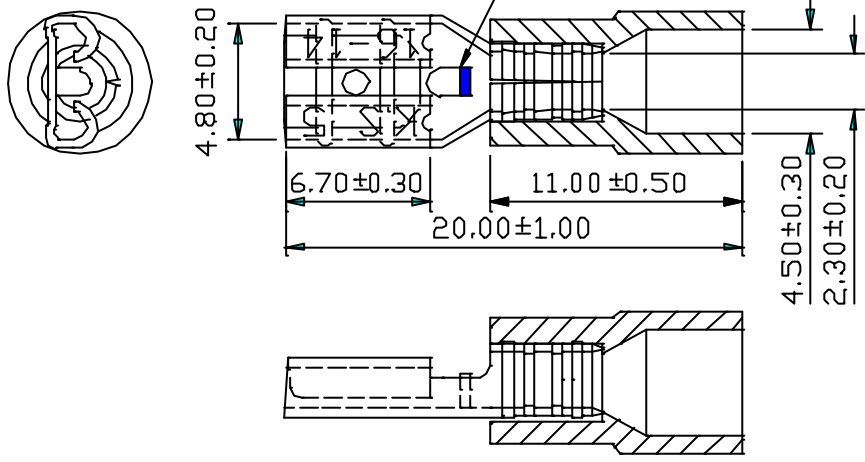


REV	DESCRIPTION	DATE
-----	-------------	------



NOTE:

1. MAXIMUM ELECTRIC CURRENT:  

A.W.G.	16	14
AMP.	10	15
2. MAXIMUM ELECTRICAL RATING:  
125°C 300 VOLTS MAX.
3. INSULATION MATERIAL: PC
4. INSULATION COLOR: BLUE
5. TERMINAL MATERIAL: BRASS
6. WIRE RANGE: 16-14A.W.G. (1.5-2.5mm<sup>2</sup>)
7. TERMINAL THICKNESS: 0.40mm

Tolerance Unless Otherwise Specified	
0 >	mm ± ANGLE
>	mm ± 0° REF ±
>	mm ± ° ±
>	mm ± ° ±

NAME	PC-INSULATED MALE DISCONNECTORS				UNIT	mm	
PART NO.	FDNI2-187(5)	MATERIAL			APPROVE		
NUMBER	TNV-476	SCALE	SHEET	PAGE	CHECKED		
DATE	09/07/2005	3 : 1	1-0	1 OF 1	DRAWN		