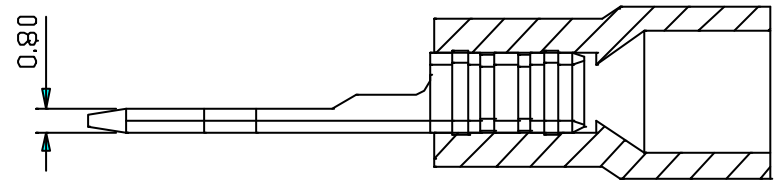
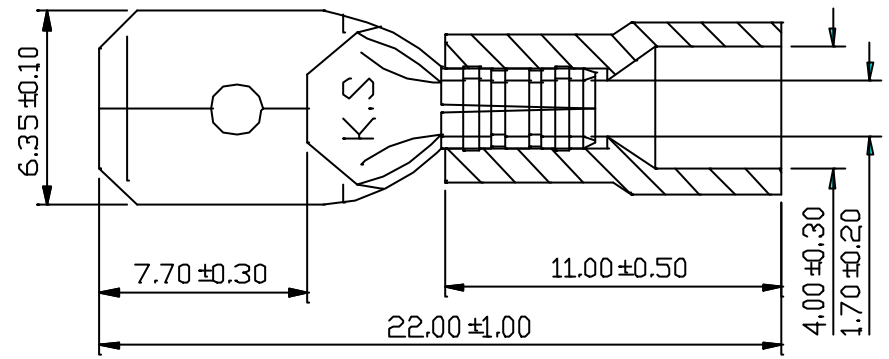


A B C D E F G H

| | | |
|-----|-------------|------|
| REV | DESCRIPTION | DATE |
|-----|-------------|------|



NOTE:

- MAXIMUM ELECTRIC CURRENT:

| | | | | |
|--------|----|----|----|----|
| A.W.G. | 22 | 20 | 18 | 16 |
| AMP. | 9 | 12 | 17 | 18 |
- MAXIMUM ELECTRICAL RATING:
125°C 300 VOLTS MAX.
- INSULATION MATERIAL: PC
- INSULATION COLOR: RED
- TERMINAL MATERIAL: BRASS
- WIRE RANGE: 22-16A.W.G. (0.5-1.5mm²)
- NEMA TAB: .032*.250 (0.8*6.35)

| Tolerance Unless Otherwise Specified | |
|--------------------------------------|---------------|
| 0 > | MM ± ANGLE |
| > | MM ± 0° REF ± |
| > | MM ± ° ± |
| > | MM ± ° ± |

| | | | | | | | |
|----------|---------------------------------|----------|-------|---------|---------|----|--|
| NAME | PC-INSULATED MALE DISCONNECTORS | | | | UNIT | mm | |
| PART NO. | MDN1L-250 | MATERIAL | | APPROVE | | | |
| NUMBER | TZV-055 | SCALE | SHEET | PAGE | CHECKED | | |
| DATE | 09/07/2005 | 4 : 1 | 1-0 | 1 OF 1 | DRAWN | | |

A B C D E F G H