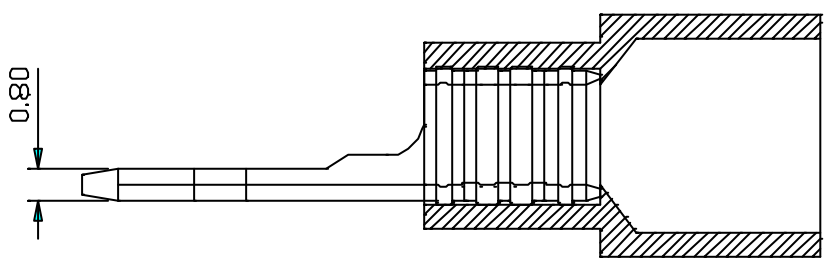
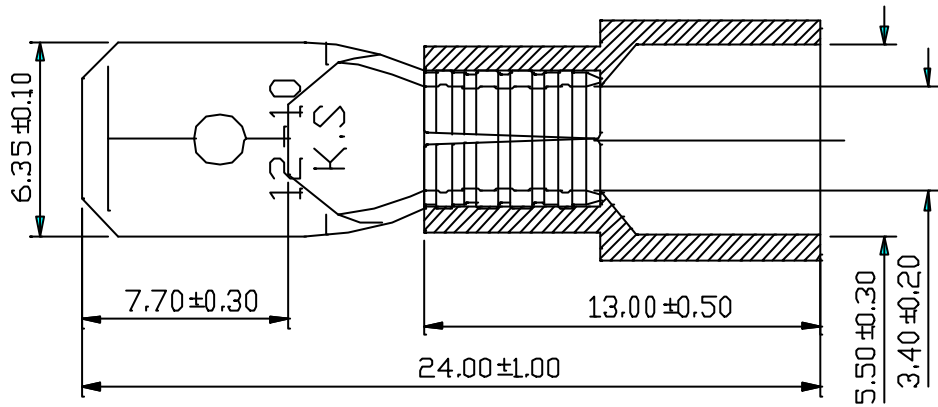


A B C D E F G H

REV	DESCRIPTION	DATE
-----	-------------	------



NOTE:

1. MAXIMUM ELECTRIC CURRENT:

A.W.G.	12	10
AMP.	20	24
2. MAXIMUM ELECTRICAL RATING:
 125°C 300 VOLTS MAX.
3. INSULATION MATERIAL: PC
4. INSULATION COLOR: YELLOW
5. TERMINAL MATERIAL: BRASS
6. WIRE RANGE: 12-10A.W.G. ($4-6\text{mm}^2$)
7. TERMINAL THICKNESS: 0.4mm
8. NEMA TAB: .032*.250 (0.8*6.35)

Tolerance Unless Otherwise Specified	
0 >	mm ± ANGLE
>	mm ± 0° ° REF ±
>	mm ± ° ° ±
>	mm ± ° ° ±

NAME	PC-INSULATED MALE DISCONNECTORS				UNIT	mm	
PART NO.	MDNIS-250	MATERIAL			APPROVE		
NUMBER	TZV-059	SCALE	SHEET	PAGE	CHECKED		
DATE	09/07/2005	4 : 1	1-0	1 OF 1	DRAWN		

A B C D E F G H