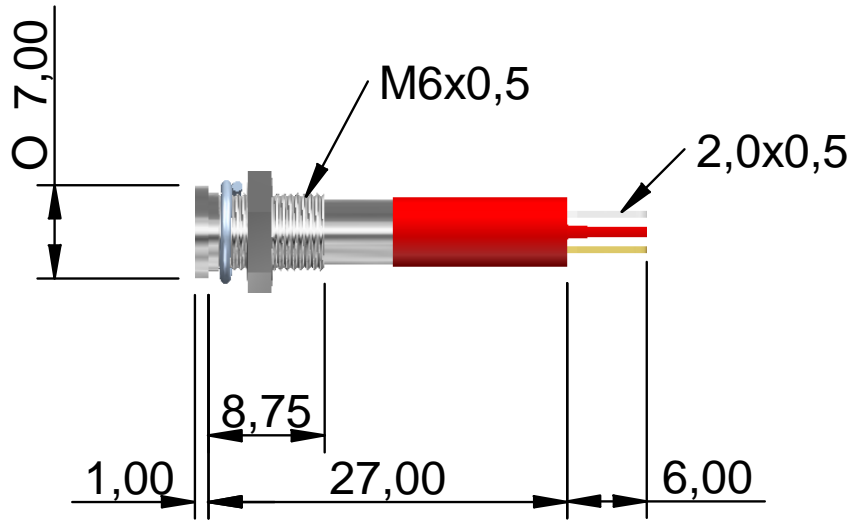


RS ITEM NO 7001574

ITEM NO Q6F1CXXR24E



<b>LED/Multiled</b>	<i>LED</i>	<b>Optimum voltage (V)</b>	<i>24VDC</i>	<b>Intensity</b>	<i>5mcd@10mA typ</i>
<b>Mounting Size</b>	<i>6mm</i>	<b>Rectifier</b>	-	<b>Reverse Voltage</b>	
<b>Mounting Finish</b>	<i>FLUSH</i>	<b>AC current</b>	-		
<b>Protection</b>	<i>IP67</i>	<b>DC current</b>	<i>16mA (max)</i>		
<b>Mount Holder</b>	<i>Satin Bezel</i>	<b>Voltage Tolerance(%)</b>	<i>10%</i>		
<b>Chip Qty</b>	<i>1</i>	<b>Optimum temperature (°C)</b>	<i>-25°C...+60°C</i>		
<b>Indicator colour</b>	<i>RED</i>	<b>Storage temperature (°C)</b>	<i>-25°C...+60°C</i>		
<b>Wavelength (nm)</b>	<i>625</i>	<b>Contact Tab x 2</b>	<i>2.0X0.5MM</i>		



*Dimension in mm (typical), not to scale.  
We reserve the right to make changes without further notice to this product to improve reliability, function or design.*