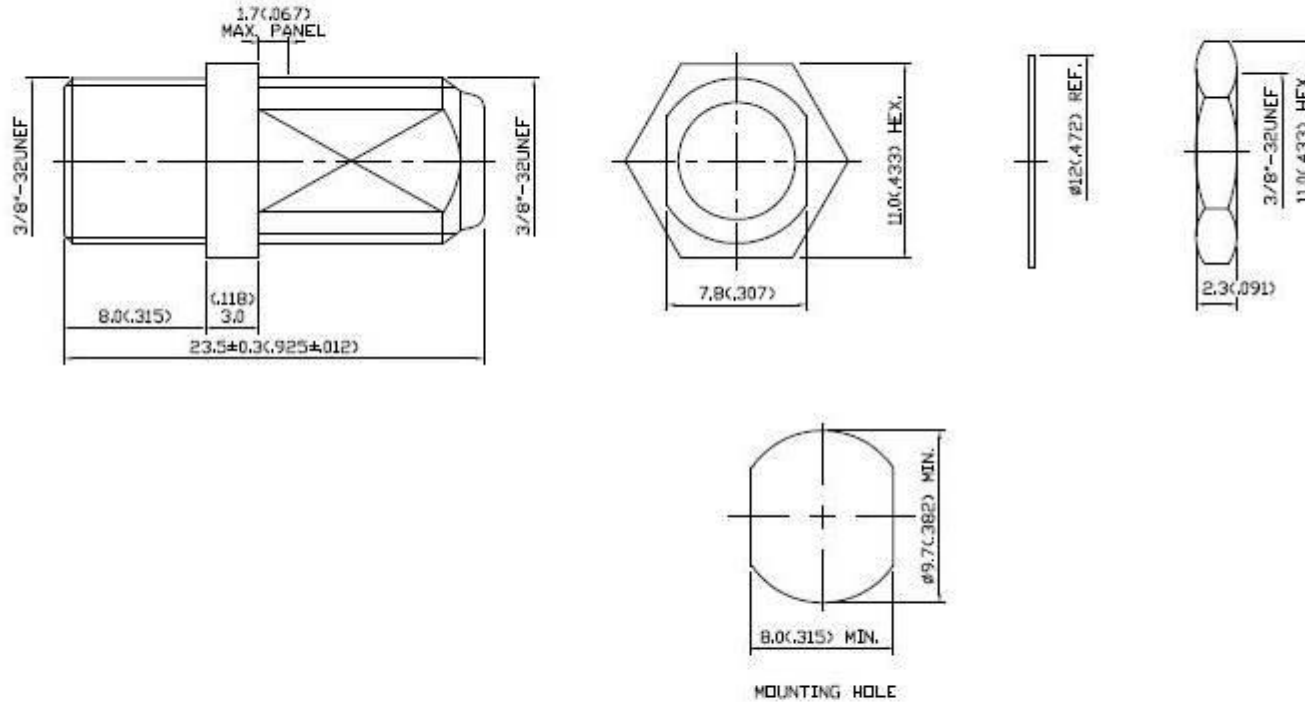


Straight F Bulkhead Jack-Jack Adapter RS Stock No 5462728



1.0 ELECTRICAL

- 1.1 FREQUENCY RANGE: DC-1 GHz
- 1.2 NOMINAL IMPEDANCE: 75 OHM

2.0 MATERIALS

- 2.1 BODIES: BRASS PER JIS-C3604
- 2.2 CENTER CONTACT: BRASS PER JIS-C2680

3.0 FINISHES AND OTHERS

- 3.1 SEE BELOW TABLE FOR DETAILS.

4.0 ENVIRONMENTAL

- 4.1 OPERATING TEMPERATURE RANGE: -40° C TO +60° C

NO	DESCRIPTION	MATERIAL	QTY	FINISH
4	NUT	BRASS	1	NICKEL
3	WASHER	BRASS	1	NICKEL
2	PRESS PIN	PP+BRASS	1	TIN 40 μ" MIN.
1	BODY	BRASS	1	NICKEL 100 μ" MIN.

APPROVED by _____ DATE: _____

DESCRIPTION		STRAIGHT F BULKHEAD JACK-JACK ADAPTER	
品名	18-20-3 PP.T.N	DATE	02.20.08
品名	ROHS COMPLIANT (750)	版次	A-0
CHECK	Arc	UNIT	mm(In)
CHECK	XX ±0.2	DWG.NO.	18-0122
CHECK	.XX ±0.1	SCALE	
APPROVAL	.XXX ±0.05	比例	4:1
ANGLED	Angela	ANGLE	±5°

