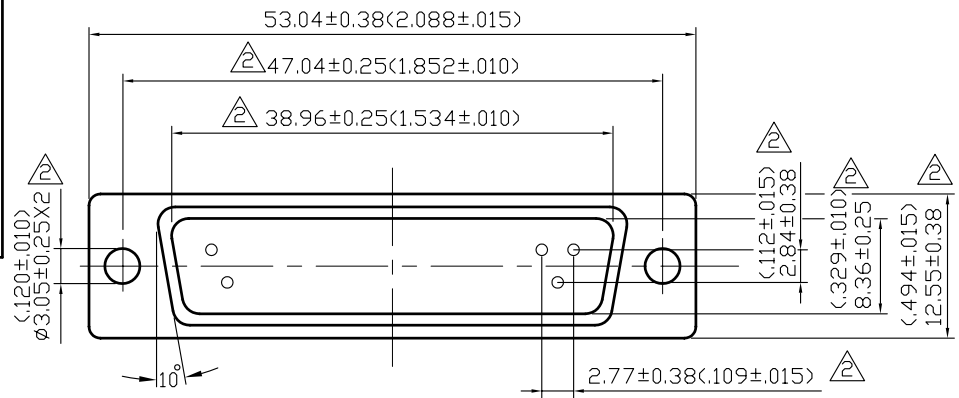
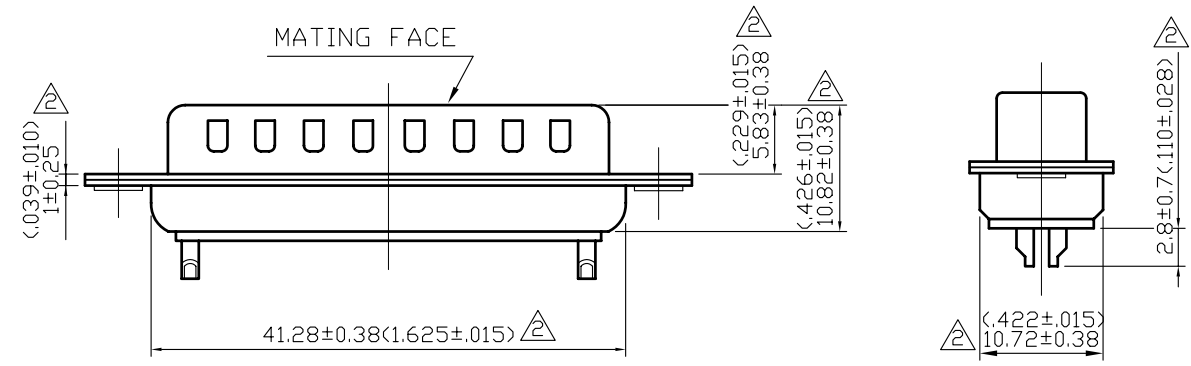


NO	DESCRIPTION	DATE
1	ADD MIS PART NO.	04.01.04
	ADD DESCRIPTION	
	47.04±0.13 → 47.04±0.25	
	38.96±0.13 → 38.96±0.25	
	∅3.05 → ∅3.05±0.25	
	8.36 → 8.36±0.25	
	12.55 REF. → 12.55±0.38	
	2.77 → 2.77±0.38	
	41.3 REF. → 41.28±0.38	03.13.08
	1 → 1±0.25	
	(5.84) → 5.83±0.38	
	10.72 REF. → 10.72±0.38	
	11 REF. → 10.72±0.38	
	3.3 REF. → 2.8±0.7	
	2.84 → 2.84±0.38	
	MIS PART NO. → P/N	



CONTACT TYPE FORMED CONTACT
 COLOR OF INSULATION WHITE PBT GLASSFIBRE REINFORCED
 PLATING OF CONTACT GOLD <5 MICRO INCHES>
 SOLDER TERMINATIONS TIN
 WORKING VOLTAGE 500V AC AT SEA LEVEL
 CONTACT RESISTANCE 10m OHM MAX.
 MATING CYCLES 150 TIMES
 PLUG DIMPLED



△ △ P/N: 544-3806

APPROVED

by _____ DATE: _____

DESCRIPTION		D-SUB WITH 25-PIN MALE CONNECTOR BY FORMING						
製圖	DRAWN	TOLERANCE	品名	050-0025P-F	DATE	版次	REV.	
								TITLE
檢圖	CHECK	.XX ±0.1	單位	UNIT	DWG.NO.	55-0050		
								mm(in)
認定	APPROVAL	.XXX ±0.05	比例	SCALE				
								ANGLE ±5°