



Spur Gears 0.5MOD - 20° p.a. in moulded Delrin® 500 to gear quality AGMA 7

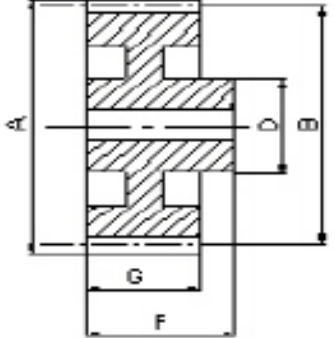
Intermediate sizes & Special gears to drawing (tooling charges may apply)	
All dimensions in mm	
Standard tolerances, unless otherwise stated ±0.25mm. Bore tolerance +0.02 / -0.04	

Code	No. of Teeth	Pitch Ø B	Bore Ø	Hub/Boss Ø D	Outside Ø A	O/A Width F	Face Width G
DS05-12B	12	6	2	4.5	7	7	3
DS05-15B	15	7.5	2	4.5	8.5	7	3
DS05-16B	16	8	3	6	9	7	3
DS05-18B	18	9	3	6	10	7	3
DS05-20B	20	10	4	8	11	7	3
DS05-24B	24	12	4	8	13	7	3
DS05-25B	25	12.5	4	8	13.5	7	3
DS05-28B	28	14	4	8	15	7	3
DS05-30B	30	15	5	10	16	7	3
DS05-32B	32	16	5	10	17	7	3
DS05-35B	35	17.5	5	10	18.5	7	3
DS05-36B	36	18	5	10	19	7	3
DS05-40B	40	20	5	12	21	7	3
DS05-45B	45	22.5	5	12	23.5	7	3
DS05-48B	48	24	5	12	25	7	3
DS05-50B	50	25	5	12	26	7	3
DS05-56B	56	28	6	14	29	8	3
DS05-60B	60	30	6	14	31	8	3
DS05-64B	64	32	6	14	33	8	3
DS05-70B	70	35	6	14	36	8	3
DS05-72B	72	36	6	14	37	8	3
DS05-80B	80	40	6	14	41	8	3

Sintered bronze bushes (see below) are available to be used with these gears

Please note : All dimensions including bore sizes subject to change.
If a dimension is critical to your application please contact our sales department for confirmation.

Spur Gears 0.8MOD - 20° p.a. in moulded Delrin® 500 to gear quality AGMA 7

Intermediate sizes & Special gears to drawing (tooling charges may apply)	
All dimensions in mm	
Standard tolerances, unless otherwise stated ±0.25mm. Bore tolerance +0.02 / -0.04	

Code	No. of Teeth	Pitch Ø B	Bore Ø H9	Hub/Boss Ø D	Outside Ø A	O/A Width F	Face Width G
DS08-12B	12	9.6	3	6	11.2	9	4
DS08-15B	15	12	3	6	13.6	9	4
DS08-16B	16	12.8	4	8	14.4	9	4
DS08-18B	18	14.4	4	8	16	9	4
DS08-20B	20	16	5	10	17.6	9	4
DS08-24B	24	19.2	5	10	20.8	9	4
DS08-25B	25	20	5	10	21.6	9	4
DS08-28B	28	22.4	5	10	24	9	4
DS08-30B	30	24	6	12	25.6	9	4
DS08-32B	32	25.6	6	12	27.2	9	4
DS08-35B	35	28	6	12	29.6	9	4
DS08-36B	36	28.8	6	12	30.4	9	4
DS08-40B	40	32	6	12	33.6	9	4
DS08-45B	45	36	6	12	37.6	9	4
DS08-48B	48	38.4	6	14.5	40	10	4
DS08-50B	50	40	6	14.5	41.6	10	4
DS08-56B	56	44.8	6	14.5	46.4	10	4
DS08-60B	60	48	6	14.5	49.6	10	4
DS08-64B	64	51.2	6	15.5	52.8	10	4
DS08-70B	70	56	6	15.5	57.6	10	4
DS08-72B	72	57.6	6	15.5	59.2	10	4
DS08-80B	80	64	6	15.5	65.6	10	4

Sintered bronze bushes (see below) are available to be used with these gears

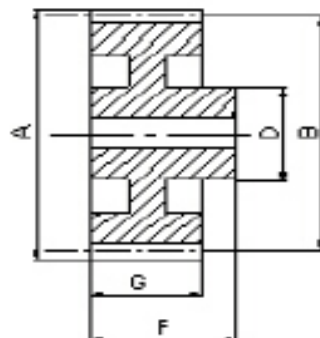
Please note : All dimensions including bore sizes subject to change.
If a dimension is critical to your application please contact our sales department for confirmation.

Spur Gears 1.0MOD - 20° p.a. in moulded Delrin® 500 to gear quality AGMA 7

Intermediate sizes &
Special gears to drawing
(tooling charges may apply)

All dimensions in mm

Standard tolerances, unless otherwise stated
±0.25mm.
Bore tolerance +0.02 / -0.04

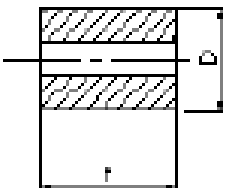


Code	No. of Teeth	Pitch Ø B	Bore Ø H9	Hub/Boss Ø D	Outside Ø A	O/A Width F	Face Width G
DS10-12B	12	12	4	8	14	12	6
DS10-15B	15	15	4	8	17	12	6
DS10-16B	16	16	5	10	18	12	6
DS10-18B	18	18	5	10	20	12	6
DS10-20B	20	20	5	11.7	22	12	6
DS10-24B	24	24	5	11.7	26	12	6
DS10-25B	25	25	5	11.7	27	12	6
DS10-28B	28	28	5	11.7	30	12	6
DS10-30B	30	30	6	14	32	12	6
DS10-32B	32	32	6	14	34	12	6
DS10-35B	35	35	6	14	37	12	6
DS10-36B	36	36	6	14	38	12	6
DS10-40B	40	40	8	16	42	12	6
DS10-45B	45	45	8	16	47	12	6
DS10-48B	48	48	8	16	50	14	6
DS10-50B	50	50	8	16	52	14	6
DS10-56B	56	56	8	18	58	14	6
DS10-60B	60	60	8	18	62	14	6
DS10-64B	64	64	8	18	66	14	6
DS10-70B	70	70	8	18	72	14	6
DS10-72B	72	72	8	18	74	14	6
DS10-80B	80	80	8	18	82	14	6

Sintered bronze bushes (see below) are available to be used with these gears

Please note : All dimensions including bore sizes subject to change.
If a dimension is critical to your application please contact our sales department for confirmation.

Sintered Bronze Bushes type OB

Intermediate sizes & special bushes to drawing (tooling charges may apply)	
All dimensions in mm	
Bore tolerance G7 OD tolerance s7 Length tolerance js13	

Code	Bore Ø mm	Outside Ø D mm	Length F mm	Use with
OB357	3	5	7	DS05, DS08
OB368	3	6	8	DS05 > 56T, DS08
OB469	4	6	9	DS08, DS10
OB4612	4	6	12	DS10
OB5812	5	8	12	DS10
OB5815	5	8	14	DS10 > 48T