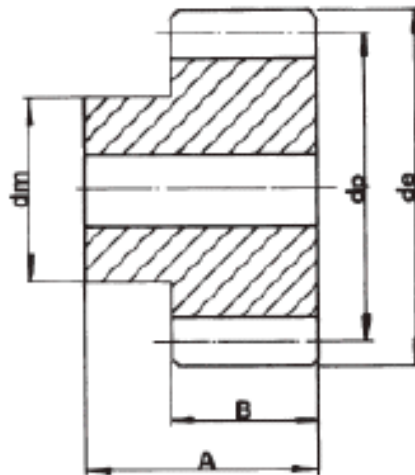




Spur Gears 2.0MOD - 20° p.a. Steel EN8, 080M40/080M46 or equivalent

All dimensions in mm



Intermediate sizes &
Special gears to drawing up to 1000mm diameter

Standard : DIN 3962 Grade 8/9

Standard tolerances, unless otherwise stated $\pm 0.25\text{mm}$.

Code	No. of Teeth	Pitch \varnothing dp	Bore \varnothing H7	Hub/Boss \varnothing dm	Outside \varnothing da	O/A Width A	Face Width B
SS20/12B	12	24	10	18	28	30	20
SS20/15B	15	30	12	24	34	30	20
SS20/16B	16	32	12	26	36	30	20
SS20/18B	18	36	12	30	40	30	20
SS20/20B	20	40	12	32	44	30	20
SS20/24B	24	48	12	38	52	30	20
SS20/30B	30	60	12	50	64	30	20
SS20/32B	32	64	12	50	68	30	20
SS20/36B	36	72	12	55	76	30	20
SS20/40B	40	80	15	55	84	30	20
SS20/44B	44	88	15	55	92	30	20
SS20/50B	50	100	15	55	104	30	20
SS20/60B	60	120	15	60	124	30	20
SS20/80B	80	160	20	60	164	30	20

SS Gears have a black oxide finish