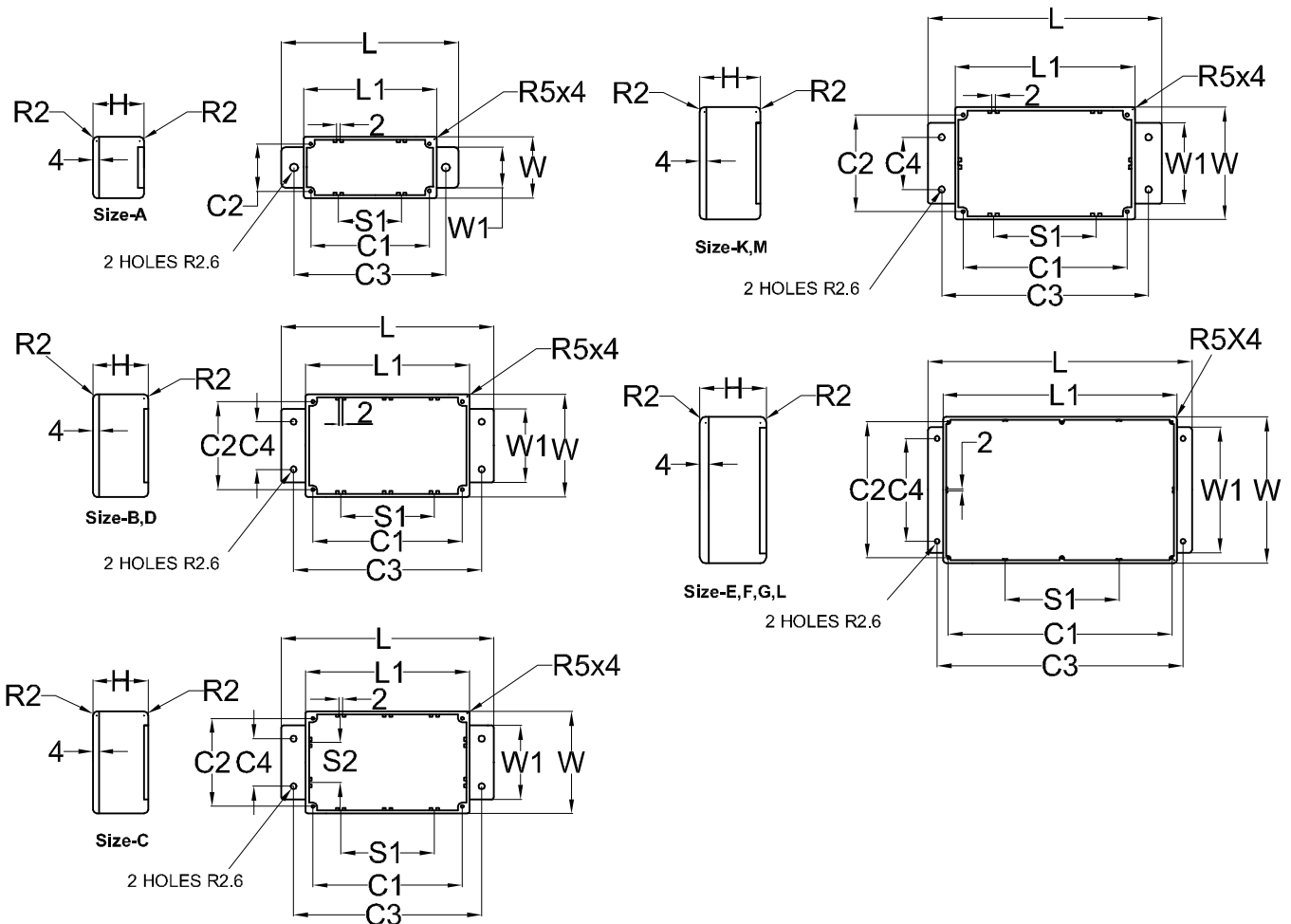




RS Stock No.517-4106
 RS Stock No.517-4128
 RS Stock No.517-4112
 RS Stock No.517-4099
 RS Stock No.517-4184
 RS Stock No.517-4156
 RS Stock No.517-4162
 RS Stock No.517-4140

IP65 Flanged high temperature boxes (with seal ,no coating)



| RS Item NO. | Size NO. | L | L1 | W | W1 | H | C1 | C2 | C3 | C4 | S1 | S2 | Wall Thickness |
|-------------|----------|-------|-------|-------|-------|-------|-------|-------|-------|------|-------|------|----------------|
| 5174106 | A | 113.9 | 89.1 | 35.1 | 25.0 | 31.0 | 79.6 | 25.4 | | | 36.0 | | 1.5mm |
| 5174128 | B | 139.7 | 114.6 | 63.8 | 44.7 | 31.0 | 104.5 | 54.2 | 127.0 | 30.0 | 60.1 | | 1.5mm |
| 5174112 | C | 139.8 | 114.6 | 89.7 | 68.9 | 56.2 | 104.5 | 79.6 | 127.0 | 50.0 | 50.1 | 36.1 | 1.5mm |
| 5174099 | D | 139.6 | 114.6 | 63.8 | 44.9 | 56.0 | 104.6 | 54.3 | 127.1 | 30.0 | 60.1 | | 2mm |
| 5174184 | E | 201.7 | 172.2 | 121.2 | 100.1 | 56.3 | 160.6 | 109.5 | 189.0 | 80.0 | 80.0 | | 2mm |
| 5174156 | F | 201.7 | 172.1 | 121.2 | 100.2 | 106.4 | 160.6 | 109.5 | 188.9 | 80.0 | 80.0 | | 2mm |
| 5174162 | G | 252.0 | 222.3 | 146.1 | 117.7 | 56.5 | 211.7 | 135.6 | 238.0 | 98.0 | 100.1 | | 2mm |
| 5174140 | K | 168.7 | 139.3 | 101.6 | 79.0 | 77.5 | 128.8 | 90.9 | 157.1 | 60.1 | 65.0 | | 2mm |
| | L | 194.8 | 165.6 | 127.4 | 100.0 | 77.3 | 154.1 | 116.1 | 182.2 | 80.0 | 78.0 | | 2mm |

1. Material of the base and lid :Aluminium alloy ADC12
2. Material of the screws : Stainless M3.5x12mm Supadrive countersunk head
3. Finish:Natural plain
4. Seal: 3mm thick black self-adhesive synthetic rubber , Neoprene providing protection to IP65
5. Taper 1.5° Per side lid to base

